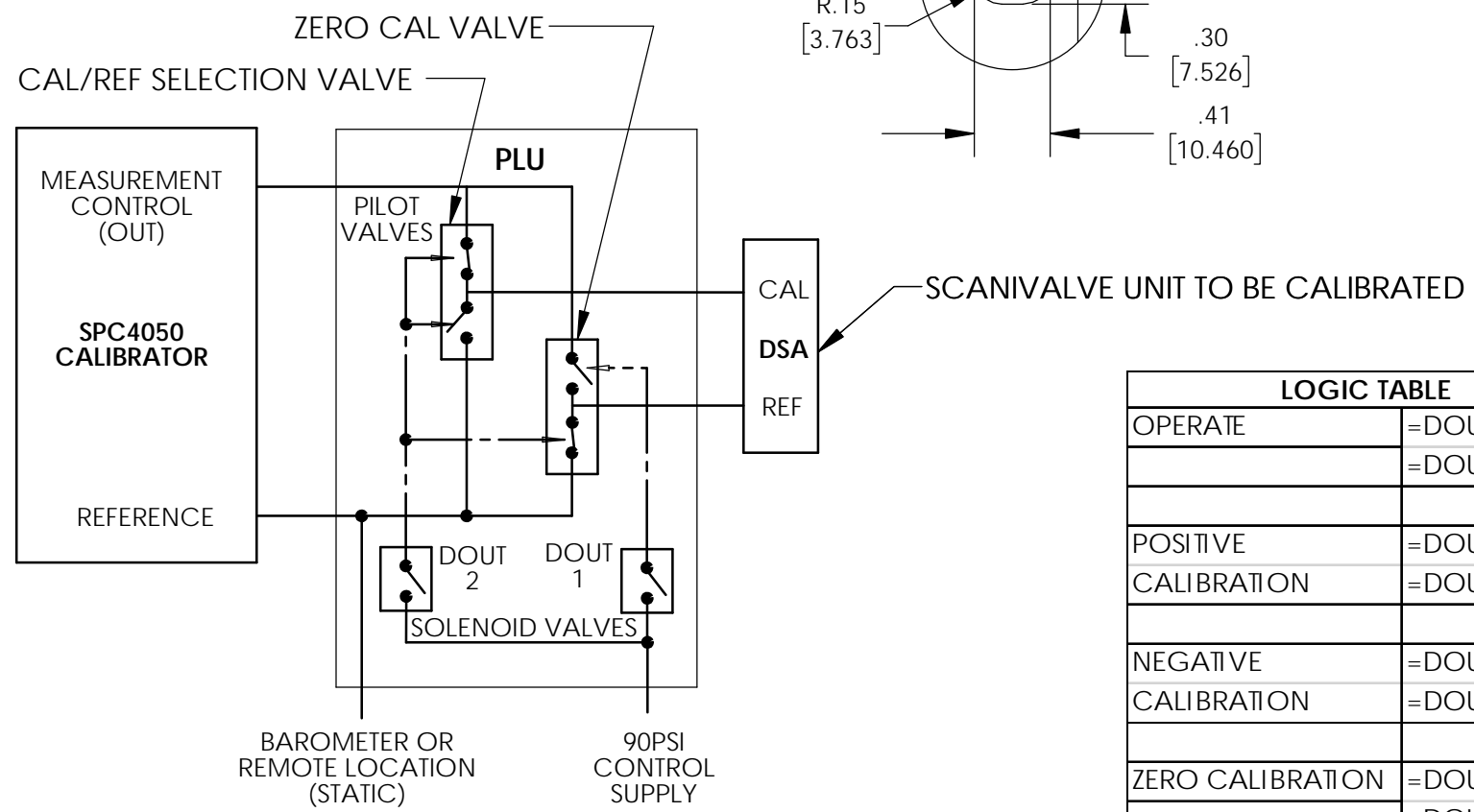
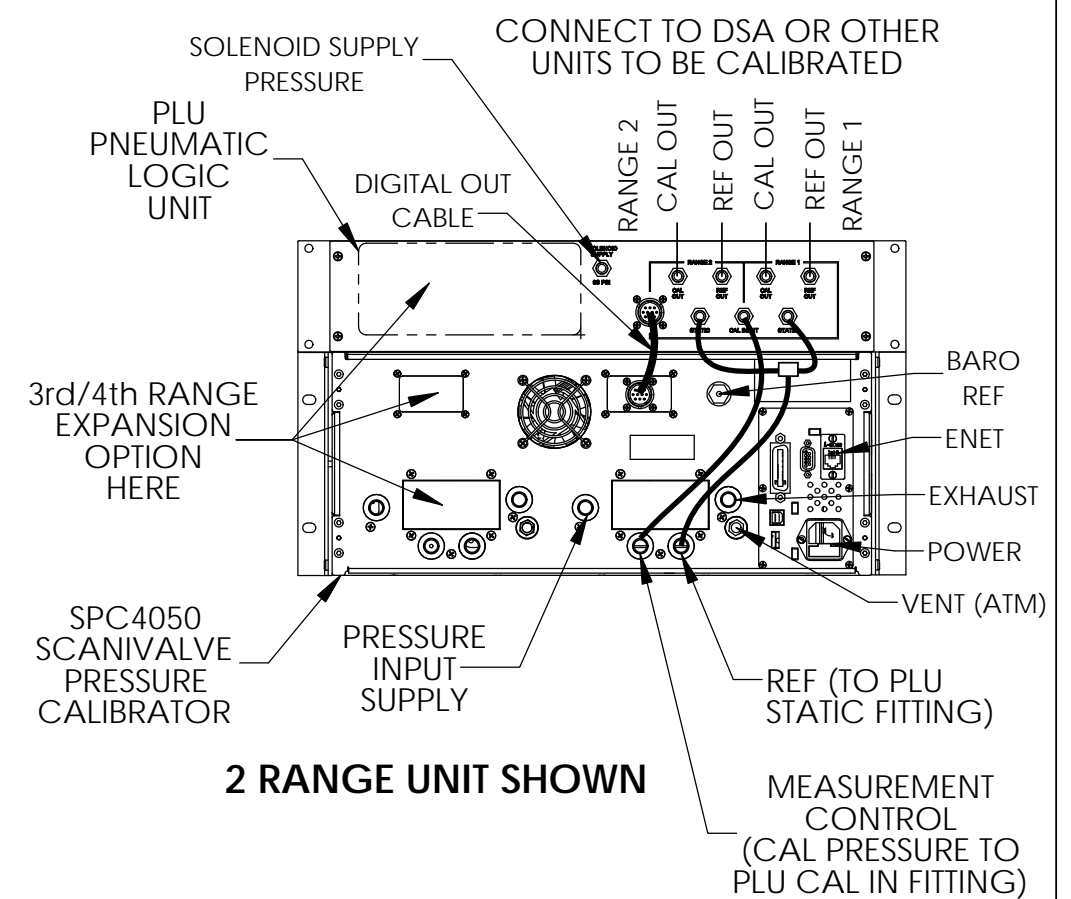
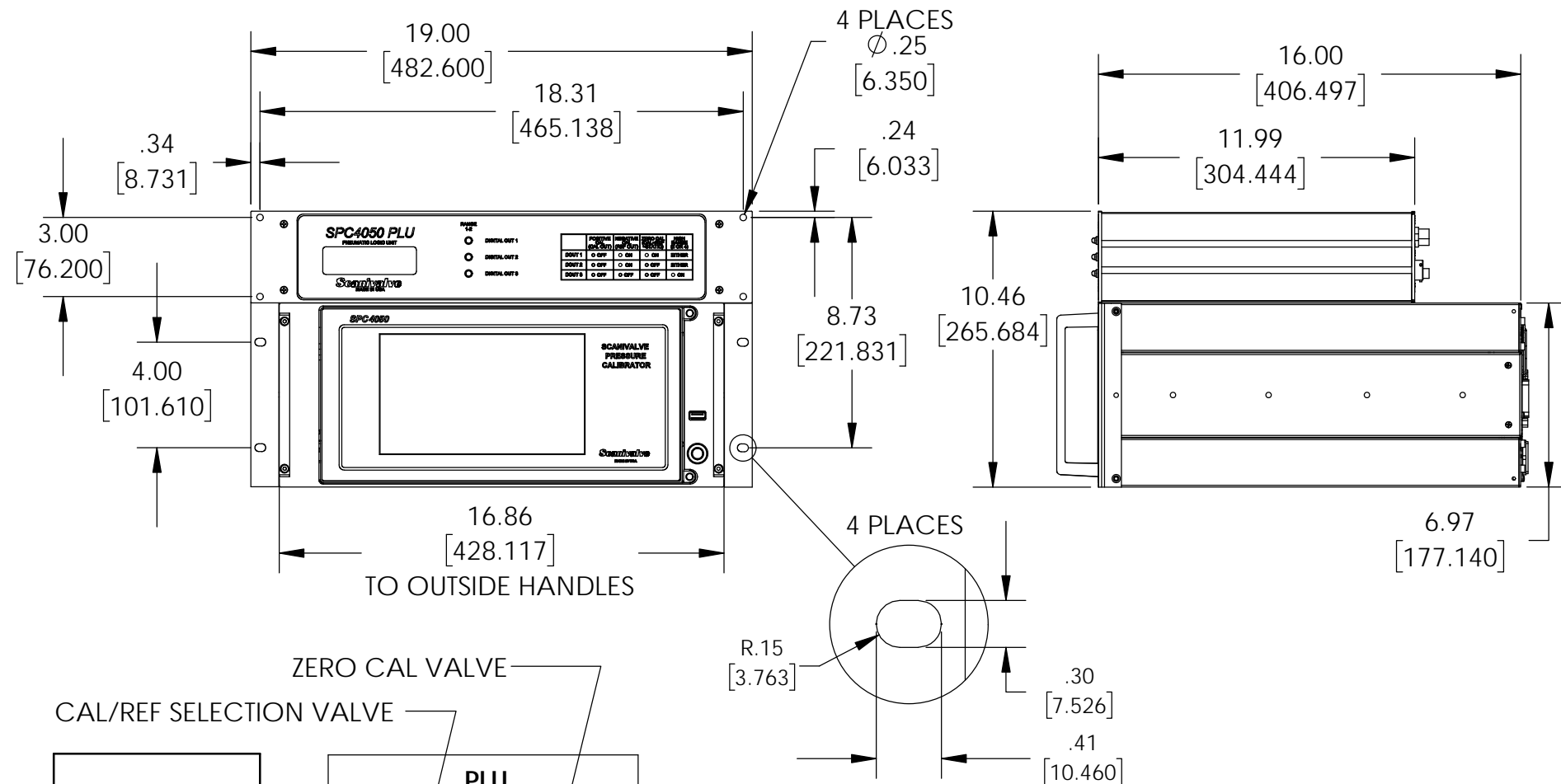


NOTES:

1. REFER TO 16090-1 DRAWING FOR TRANSDUCER RANGE OPTIONS AND TOP LEVEL ASSEMBLY CONFIGURATIONS.
2. DIMENSIONS: INCHES [MM]
3. WEIGHT: 55.0 Lbs MAX. CONFIGURATION.

REVISIONS			
REV	DESCRIPTION	DATE	APPROVED
-	PRODUCTION RELEASE	10-13-23	BRC



LOGIC TABLE	
OPERATE	=DOUT1 OFF
	=DOUT2 OFF
POSITIVE CALIBRATION	=DOUT1 OFF
	=DOUT2 OFF
NEGATIVE CALIBRATION	=DOUT1 ON
	=DOUT2 ON
ZERO CALIBRATION	=DOUT1 ON
	=DOUT2 OFF

(MULTIPLE RANGE SYSTEMS WILL SWITCH AT SAME TIME)

-1 SPC4050 PRESSURE CALIBRATOR WITH PLU PNEUMATIC LOGIC UNIT OUTLINE DRAWING

UNLESS OTHERWISE SPECIFIED: DIMENSIONS ARE IN INCHES TOLERANCES: TWO PLACE DECIMAL ± .015 THREE PLACE DECIMAL ± .005 SHEETMETAL PARTS ± .010	DRAWN	10-13-23	BRC	
	CHECKED	10-13-23	JV	
	ENGINEER	10-13-23	BRC	
VALUED CUSTOMER:				TITLE: SPC4050 PRESSURE CALIBRATOR WITH PLU PRESSURE LOGIC UNIT
CUSTOMER APPROVAL:		DATE:		SIZE: B
				DWG. NO.: 81347
				REV: -
DO NOT SCALE DRAWING		CAD: SOLIDWORKS 2010		SCALE: NA
				ERO#: SHEET 1 OF 1