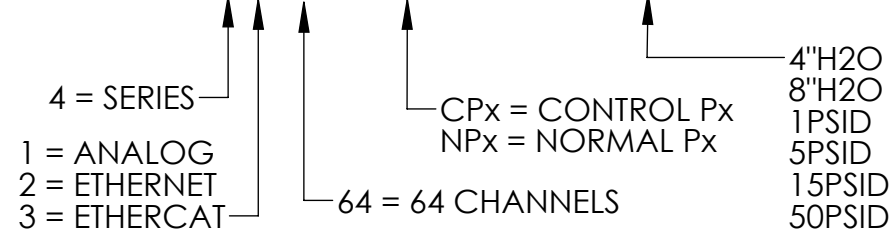


NOTES:

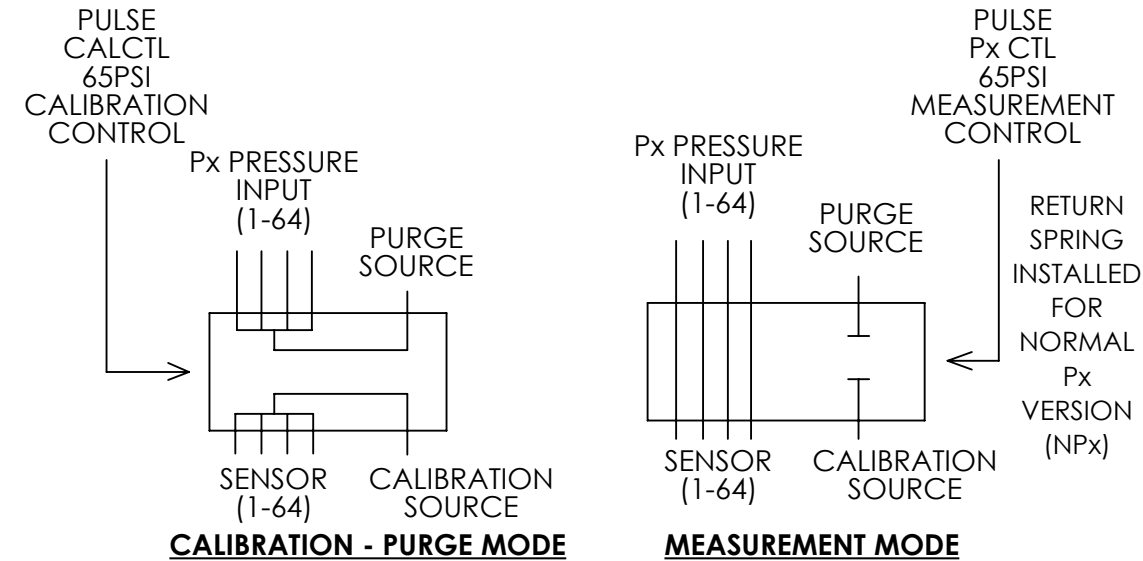
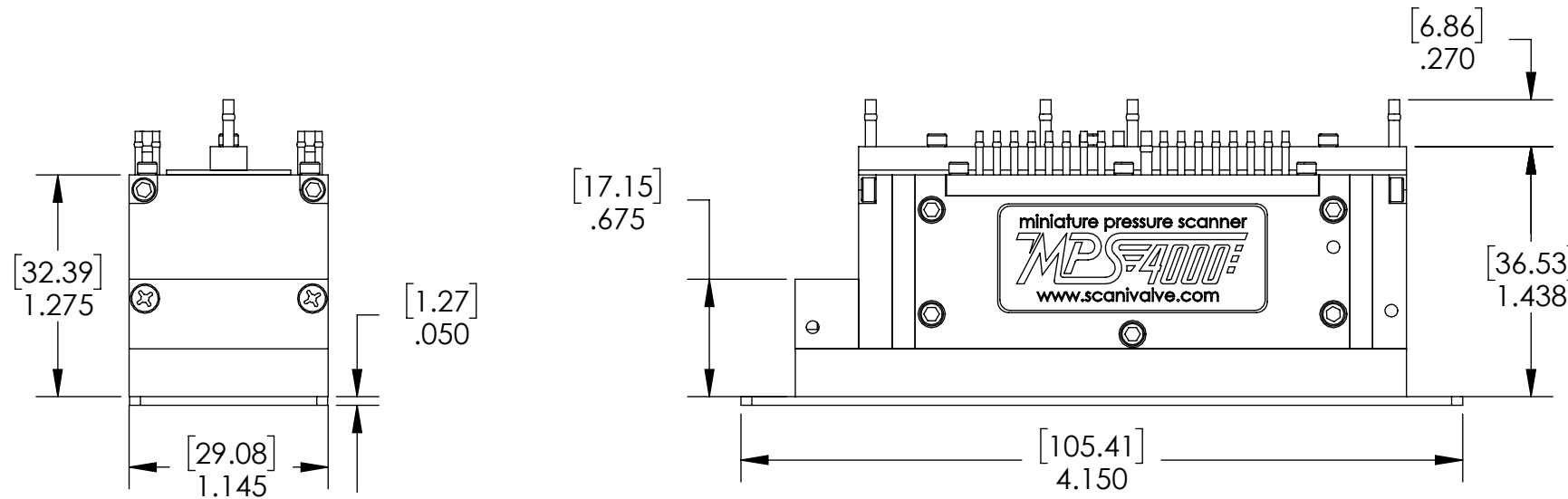
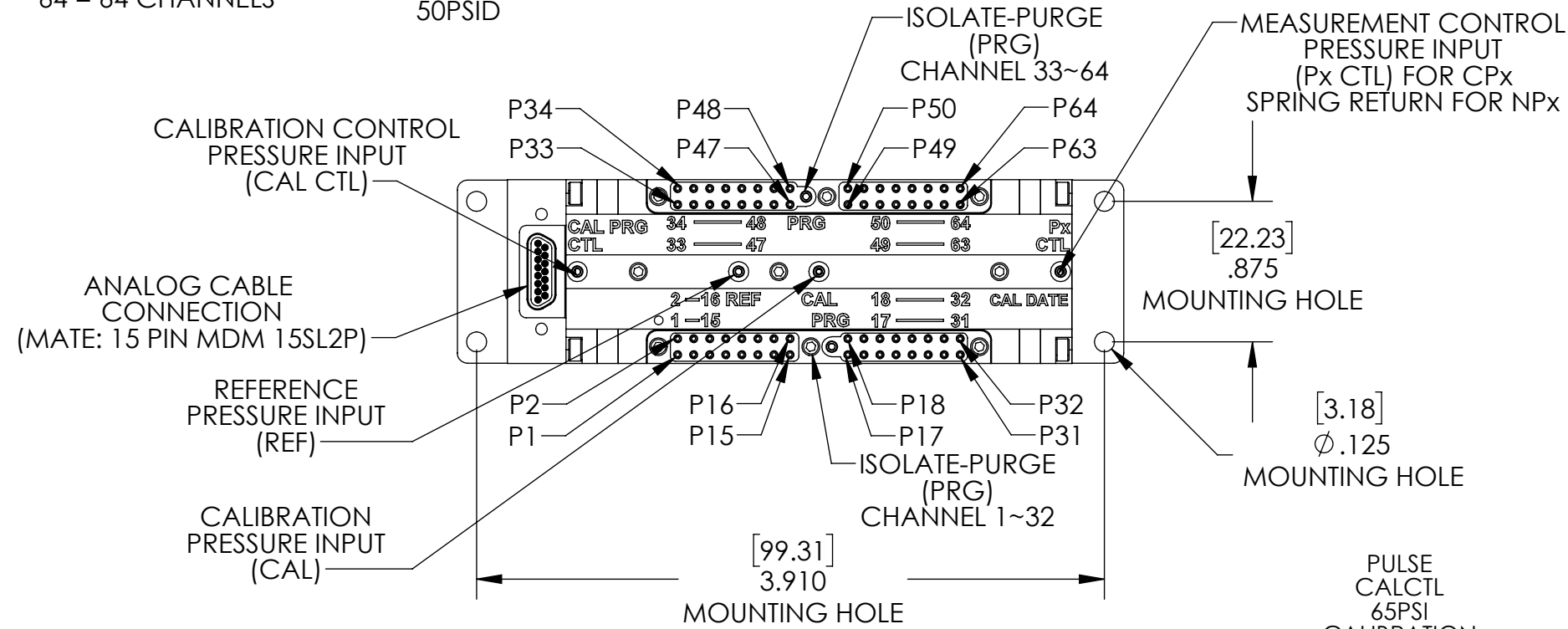
1. ALL DIMENSIONS IN INCHES [MM].
2. MPS PART NUMBER FORMAT:

MPS X X XX/OPTIONS - PRESSURE RANGE



REVISIONS			
REV	DESCRIPTION	DATE	APPROVED
-	INITIAL RELEASE	4-12-18	RP
A	UPDATE DIMS	7-18-22	AA

MATING CONNECTOR PINOUT	
PIN	DESCRIPTION
1	ADDRESS 0
2	ADDRESS 1
3	ADDRESS 2
4	ADDRESS 3
5	ADDRESS 4
6	+ 15V
7	- 15V
8	+ TEMP
9	NO CONNECTION
10	GND
11	+ PRESSURE
12	- PRESSURE
13	- TEMP
14	ADDRESS 5
15	ID



-1 MPS4164 SCANNER OUTLINE DRAWING

UNLESS OTHERWISE SPECIFIED:
 DIMENSIONS ARE IN INCHES
 TOLERANCES:
 TWO PLACE DECIMAL ± .015
 THREE PLACE DECIMAL ± .005

SHEETMETAL PARTS ± .010
 BEND RADIUS .06 MAX
 ANGULARITY ± 1.5°

VALUED CUSTOMER:

CUSTOMER APPROVAL: _____ DATE: _____

DO NOT SCALE DRAWING

DRAWN	4-12-18	NAME	RAP
CHECKED	4-12-18		
ENGINEER	4-12-18		RP

Scanivalve
 LIBERTY LAKE, WA

TITLE:
 MPS4164 SCANNER
 OUTLINE DRAWING

SIZE	DWG. NO.	REV
B	80545	A

SCALE: N/A ERO#: _____ SHEET 1 OF 1

CAD: SOLIDWORKS 2017