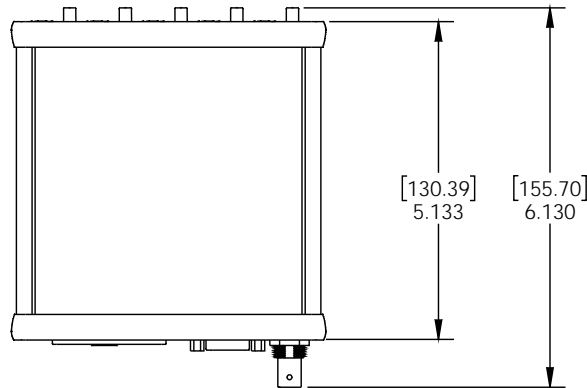


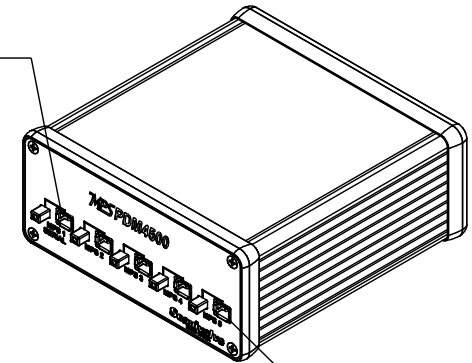
NOTES:

1. REFER TO 70450-1 FOR MPS POWER SUPPLY, 5 PORT DETAILS.
2. REFER TO 156085-1 FOR MPS POWER/SERIAL TRIGGER CABLE ACCESSORY.
3. WEIGHT: 1.6 lbs

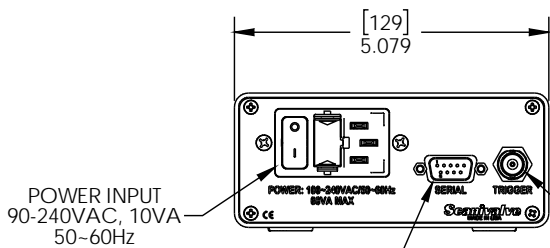
REVISIONS			
REV	DESCRIPTION	DATE	APPROVED
-	PRODUCTION RELEASE	1-6-16	BCB



MPS 1 SERIAL	
POWER-TRIG CONFIG CONNECTOR	MATING CONNECTOR: TE CONNECTIVITY PN: 2013595-1
PIN	
1	RX
2	TX
3	GND
4	+TRIG
5	-TRIG
6	GND
7	24VDC
8	GND

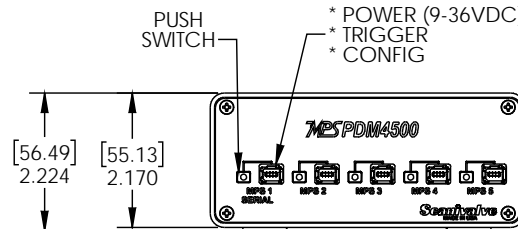


MPS 2 THRU 5	
POWER-TRIG CONNECTOR	MATING CONNECTOR: TE CONNECTIVITY PN: 2013595-1
PIN	
4	+TRIG
5	-TRIG
7	24VDC
8	GND



SERIAL PORT DE-9	
MATING CONNECTORS: ITT CANNON PN: DE19808-2 AMPHENOL SHELL PN: 17E17242	
PIN	
2	RX
3	TX
5	GND

DIGITAL IN BNC TRIGGER	
MATING CONNECTOR: MUELLER PN: BU-P4970	
PIN	
1	+TRIG
2	-TRIG



-1 MPSPDM4500, 5 PORT POWER SUPPLY

<small>UNLESS OTHERWISE SPECIFIED: DIMENSIONS ARE IN INCHES TO TOLERANCES: TWO PLACE DECIMAL ±.015 THREE PLACE DECIMAL ±.005 SHEETMETAL PARTS ±.010 BEND RADIUS .06 MAX ANGULARITY ±1.5°</small>	DATE	NAME	Scanivalve LIBERTY LAKE, WA
	DRAWN 1-6-15	SH	
	CHECKED 1-6-15	BCB	
	ENGINEER 1-5-16	BCB	
MODEL REV: J		TITLE: MPS POWER SUPPLY, 5 PORT OUTLINE DRAWING	
FINISH	SIZE	DWG. NO.	REV
TOOLBOX	B	80060	-
DO NOT SCALE DRAWING	CAD: SOLIDWORKS 2015	SCALE: N/A	ER0#: A-954 SHEET 1 OF 1