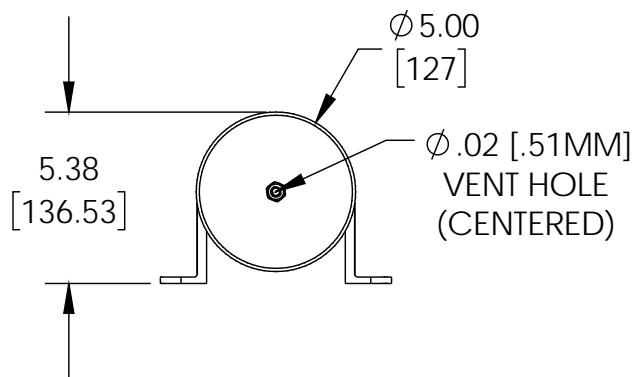
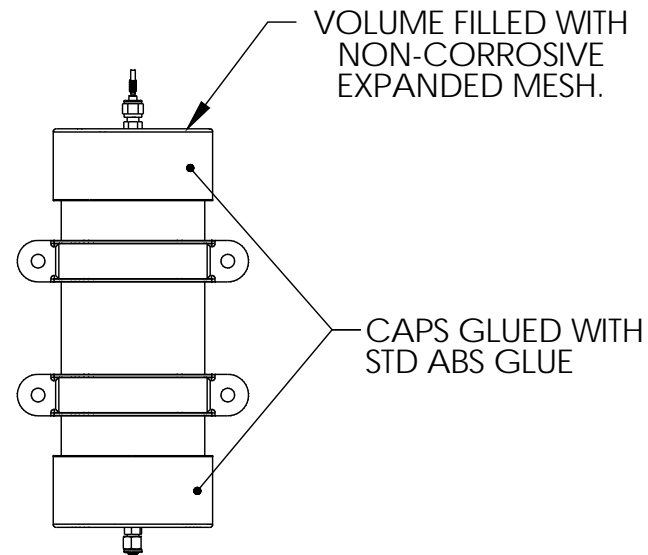
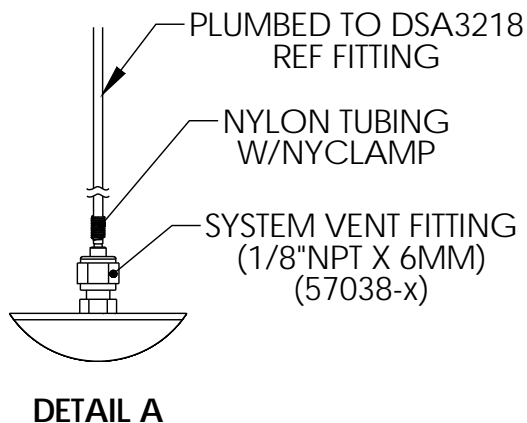
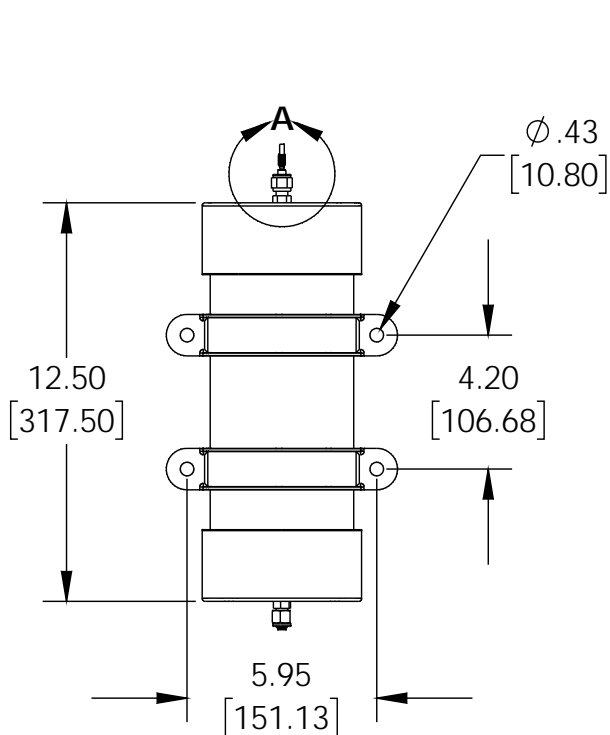


**NOTES:**

1. DIMENSIONS IN INCHES [mm]
2. DIMENSIONS ARE APPROXIMATE AND BASED ON STANDARD ABS PIPE FITTINGS
3. ACTUAL WEIGHT: 2.62 pds.

REVISIONS			
REV	DESCRIPTION	DATE	APPROVED
A	CHG VENT HOLE SIZE	9-8-10	BCB
B	CHG TO METRIC DIMS	9-17-10	BCB
DDC	UPDATE TITLE	5-23-16	BCB



**-1 STATIC BOTTLE**

UNLESS OTHERWISE SPECIFIED:				Scanivalve	
DIMENSIONS ARE IN INCHES		DATE	NAME		
TOLERANCES:		DRAWN	12-19-16	BCB	TITLE:  STATIC BOTTLE
TWO PLACE DECIMAL ±.015		CHECKED	9-7-10	AP	
THREE PLACE DECIMAL ±.005		ENGINEER	9-7-10	BCB	
SHEETMETAL PARTS ±.010		MODEL REV: H			SIZE
BEND RADIUS .06 MAX					
ANGULARITY ±1.5°					81263
MATERIAL					REV
FINISH					B
TOOLBOX					SCALE: N/A
DO NOT SCALE DRAWING		CAD: SOLIDWORKS 2016		ERO#:	SHEET 1 OF 1