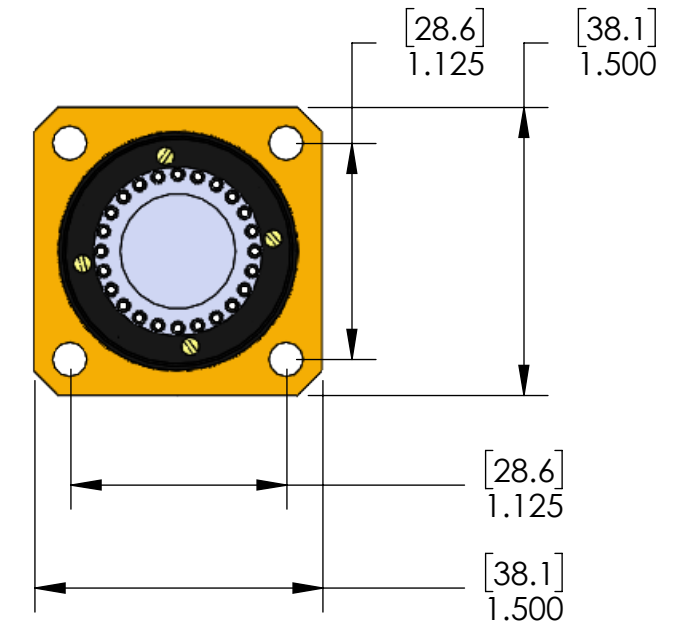
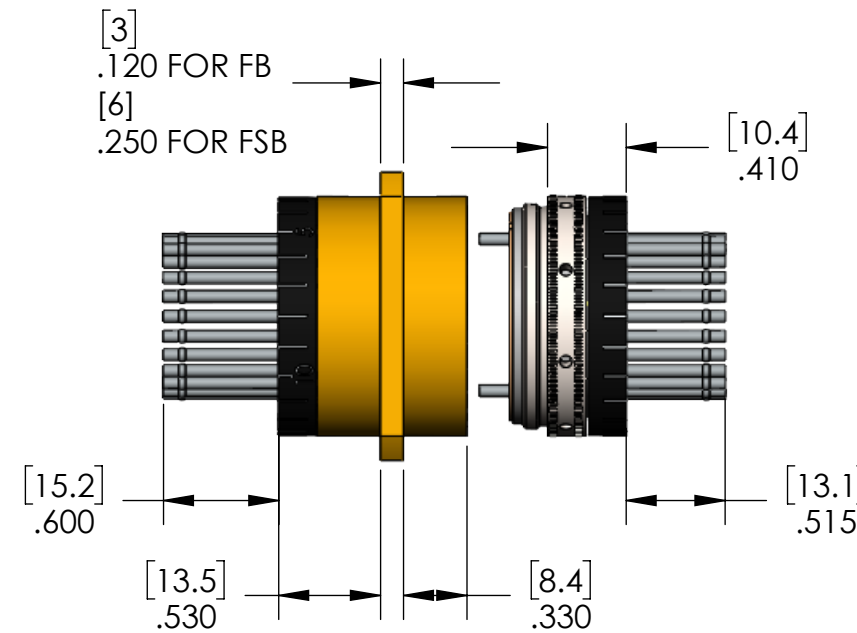
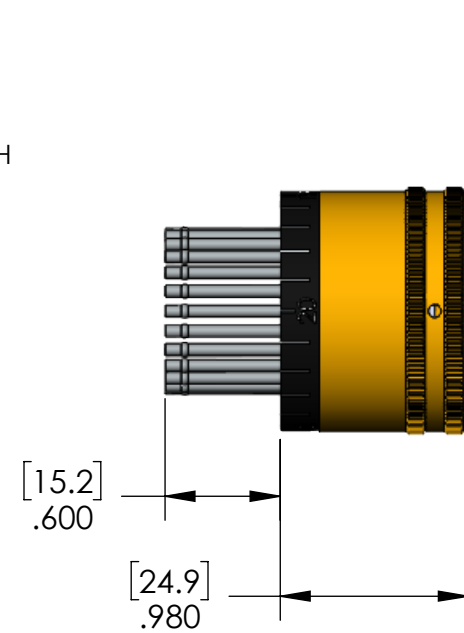
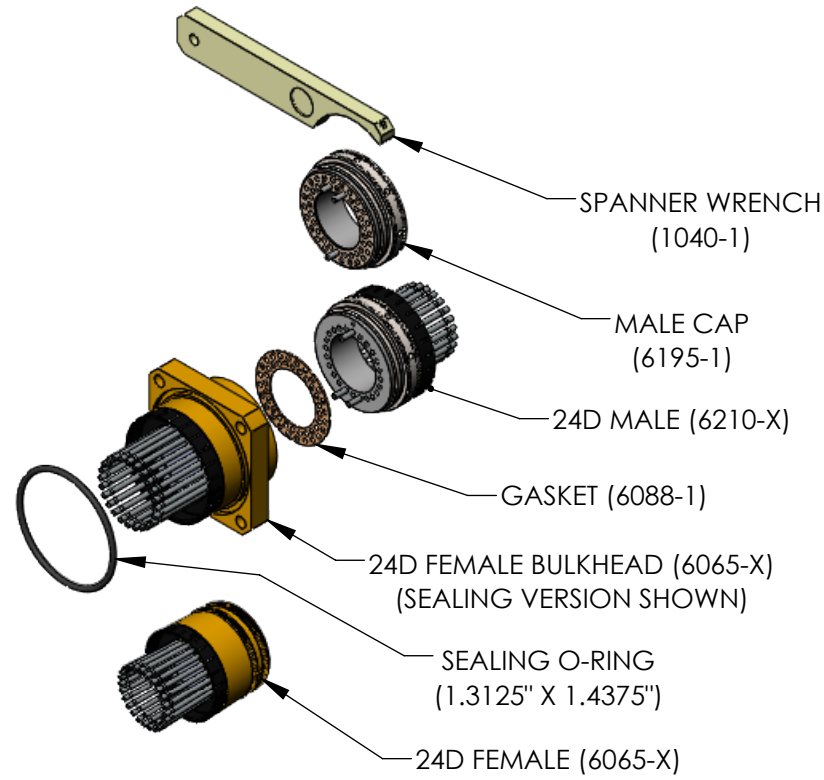


NOTES:

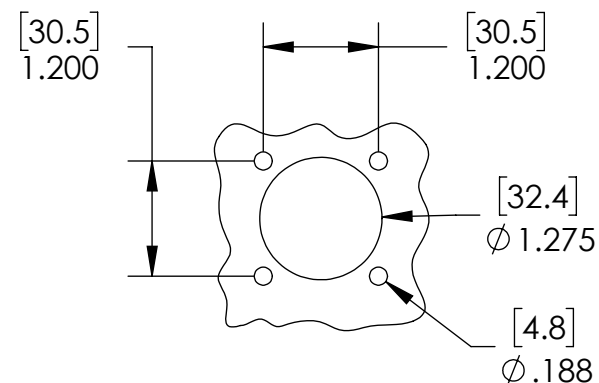
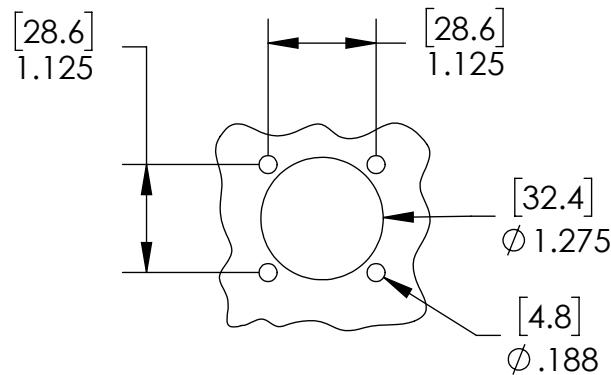
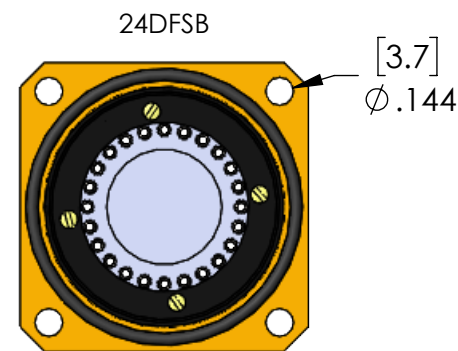
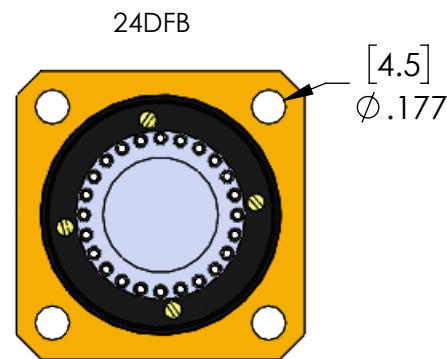
1. ALL DIMENSIONS IN INCHES [MM].
2. ALL INFORMATION FOR REFERENCE ONLY. SUBJECT TO CHANGE.
3. MALE CONNECTORS SUPPLIED WITH GASKET.

REVISIONS			
REV	DESCRIPTION	DATE	APPROVED
-	INITIAL RELEASE	8-5-19	RP

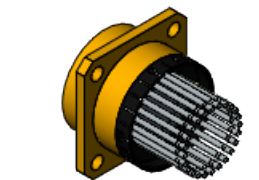
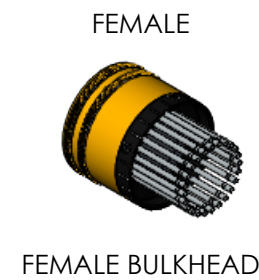
24D SERIES OUTLINE DRAWING



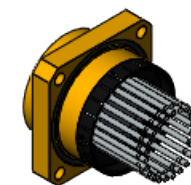
RECOMMENDED MOUNTING HOLES



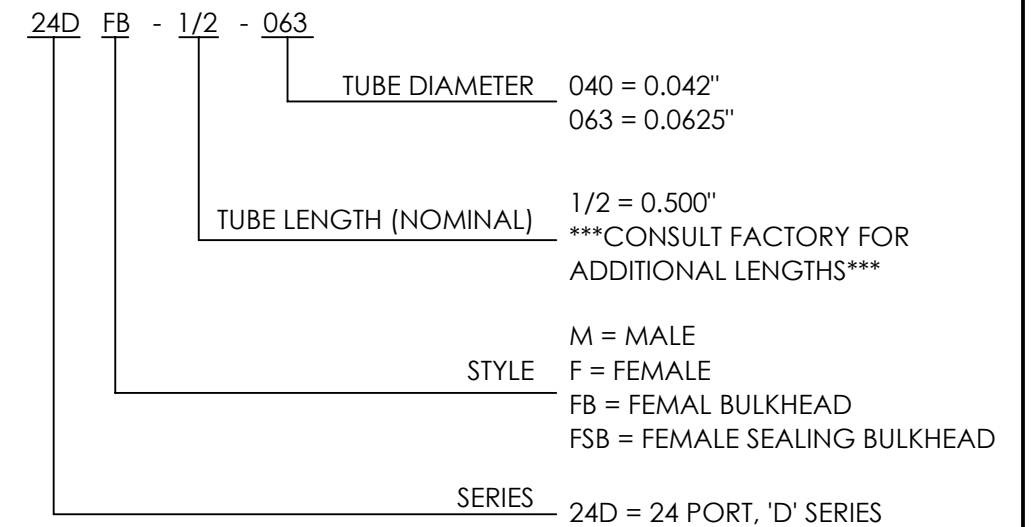
FEMALE (6065-X) CONFIGURATIONS



SEALING FEMALE BULKHEAD



NAMING CONVENTION EXAMPLE:



UNLESS OTHERWISE SPECIFIED:
 DIMENSIONS ARE IN INCHES
 TOLERANCES:
 TWO PLACE DECIMAL ± .015
 THREE PLACE DECIMAL ± .005
 SHEETMETAL PARTS ± .025
 BEND RADIUS .06 MAX
 ANGULARITY ± 1.5°

DATE	NAME	<p>Scanivalve LIBERTY LAKE, WA</p> <p>TITLE: 24D SERIES OUTLINE DRAWING</p>
DRAWN 8-5-19	RAP	
CHECKED 8-5-19	AE	
ENGINEER 8-5-19	RP	<p>SIZE B</p> <p>DWG. NO. 80262</p> <p>REV -</p>
VALUED CUSTOMER:		SCALE: N/A ERO#:
CUSTOMER APPROVAL:		SHEET 1 OF 1
CAD: SOLIDWORKS 2019		