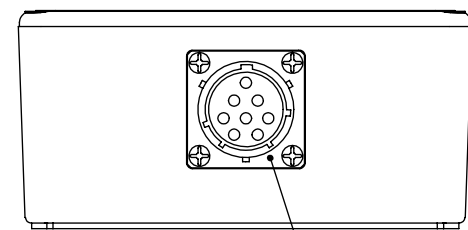
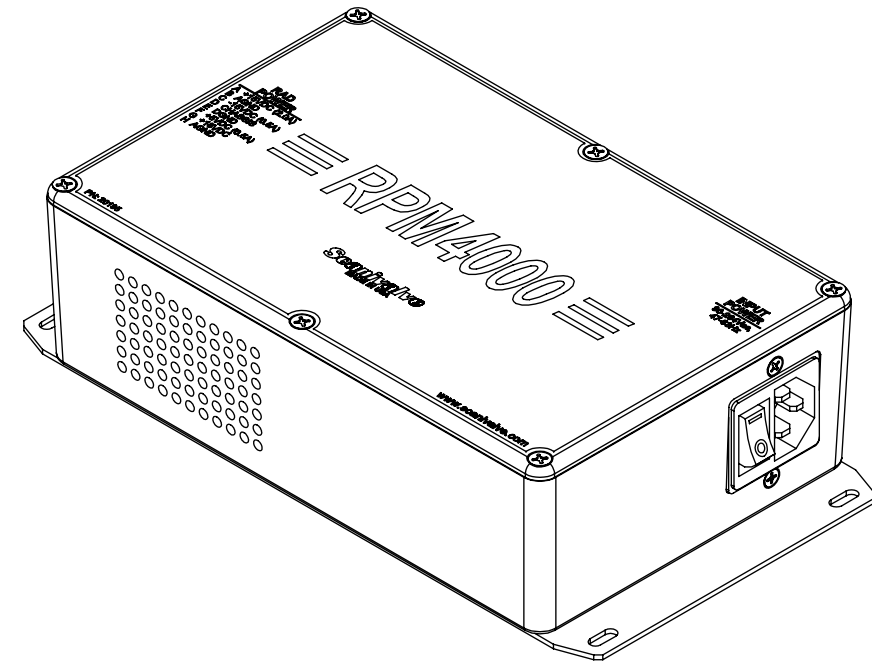
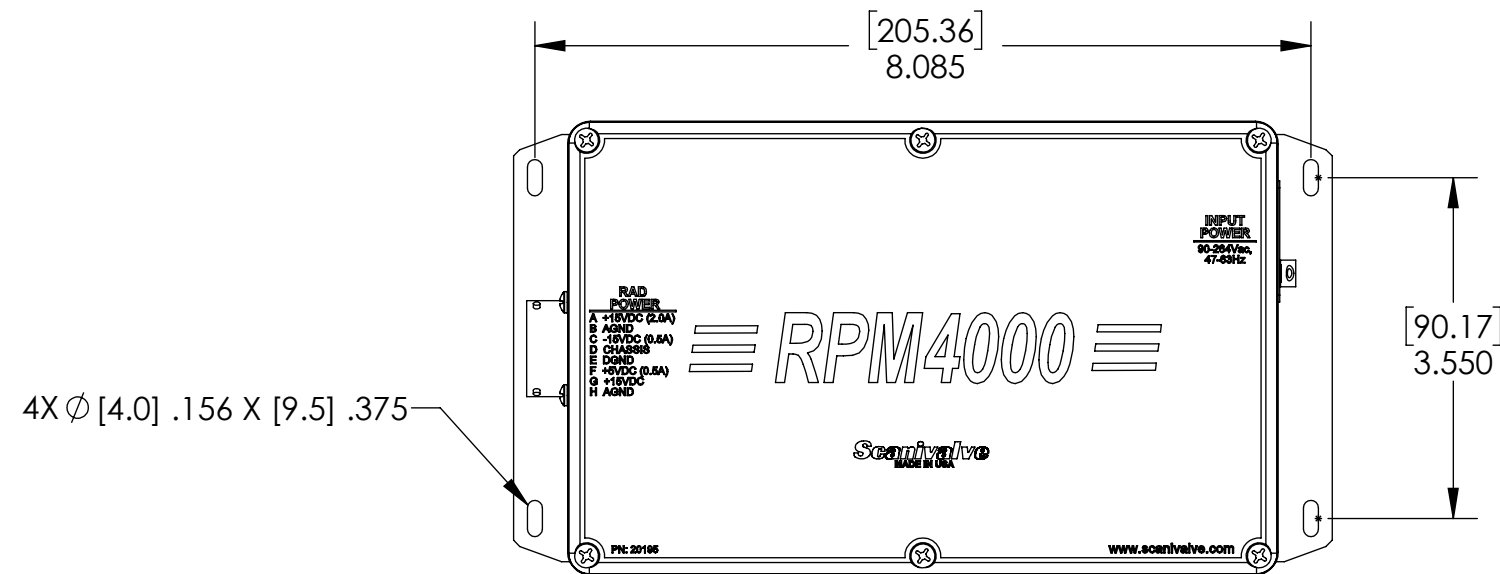


NOTES:

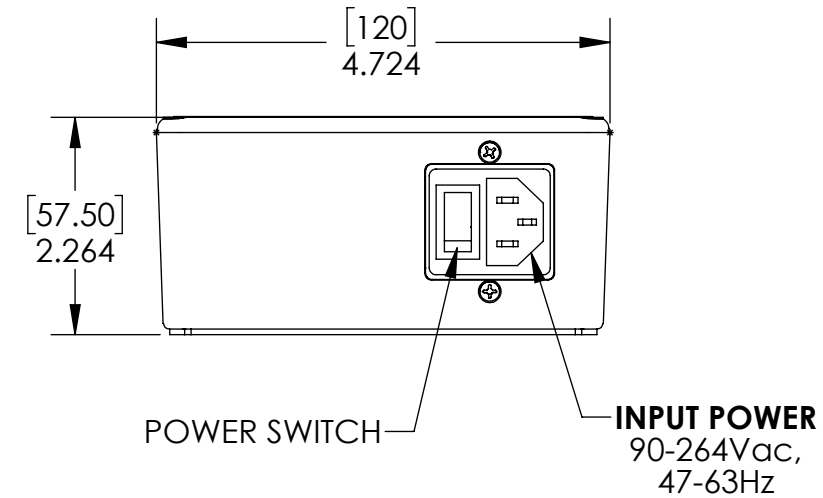
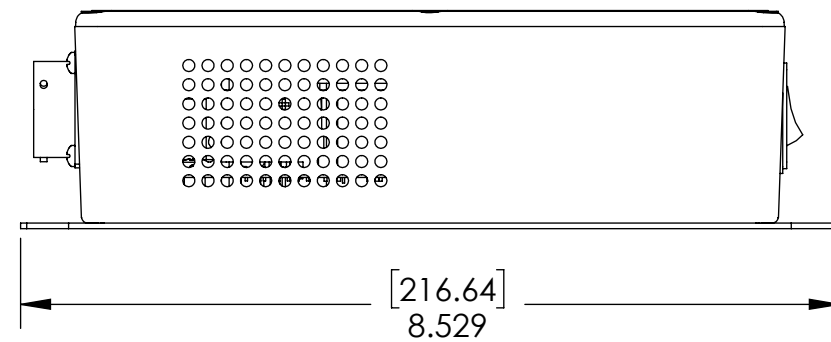
1. REFER TO SCANIVALVE PRODUCT NUMBER 20195
2. DIMENSIONS IN INCHES [mm]
3. TOTAL WEIGHT: 2.2 LBS

REVISIONS			
REV	DESCRIPTION	DATE	APPROVED
-	PRODUCTION RELEASE	1-6-14	BCB
A	UPDATED POWER INPUT	1-3-17	SH



RAD POWER:
BENDIX PT02A-16-8S
MATE: BENDIX PT06A-16-8S (SR)
(CO-860)

- A +15VDC
- B AGND
- C -15VDC
- D CHASSIS
- E DGND
- F +5VDC
- G +15VDC
- H AGND



-1 RPM4000 DC RAD POWER MODULE ASSEMBLY

UNLESS OTHERWISE SPECIFIED: DIMENSIONS ARE IN INCHES TOLERANCES: TWO PLACE DECIMAL ± .015 THREE PLACE DECIMAL ± .005		DRAWN	DATE	NAME	<p>Scanivalve LIBERTY LAKE, WA</p> <p>TITLE: RPM4000 DC RAD POWER MODULE ASSEMBLY</p>	
SHEETMETAL PARTS ± .010 BEND RADIUS .06 MAX ANGULARITY ± 1.5°		CHECKED	1-5-17	SH		
VALUED CUSTOMER:		ENGINEER	9-25-13	BCB		
CUSTOMER APPROVAL:		DATE:		SIZE	DWG. NO.	REV
				B	81006	B
DO NOT SCALE DRAWING		CAD: SOLIDWORKS 2016		SCALE: N/A ERO#:		SHEET 1 OF 1