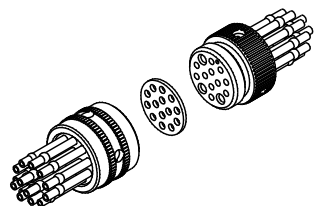
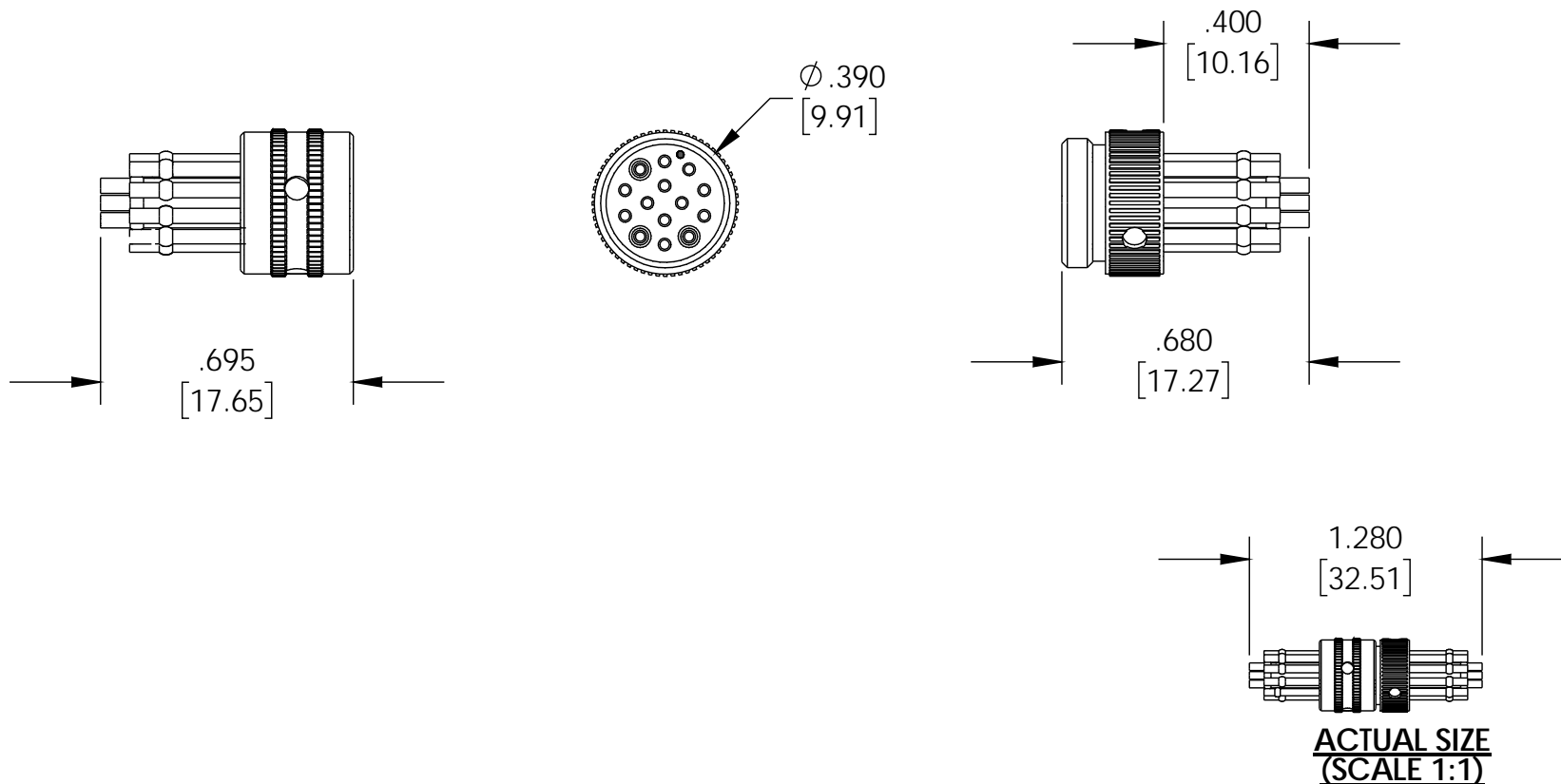


NOTES:

1. DIMENSIONS: INCHES [MM].
2. MAX. PRESSURE 50 PSI.
3. USE WITH SCANIVALVE URETHANE TUBING ONLY.

REVISIONS			
REV	DESCRIPTION	DATE	APPROVED
-	PRODUCTION RELEASE	10-4-17	SH



-1 14M390-040/14F390-040

UNLESS OTHERWISE SPECIFIED: DIMENSIONS ARE IN INCHES TOLERANCES: TWO PLACE DECIMAL ±.015 THREE PLACE DECIMAL ±.005		DATE	NAME	Scanivalve LIBERTY LAKE, WA
DRAWN	10-4-17	SH	TITLE:	
CHECKED	711-17	AP	14M390-040/14F390-040	
SHEETMETAL PARTS ±.010 BEND RADIUS .06 MAX ANGULARITY ±1.5°		ENGINEER	7-11-17	SH
MATERIAL		MODEL REV: B		
FINISH		SIZE	DWG. NO.	REV
TOOLBOX		A	80195	-
DO NOT SCALE DRAWING	CAD: SOLIDWORKS 2017	SCALE: N/A	ERO#: B-012	SHEET 1 OF 1