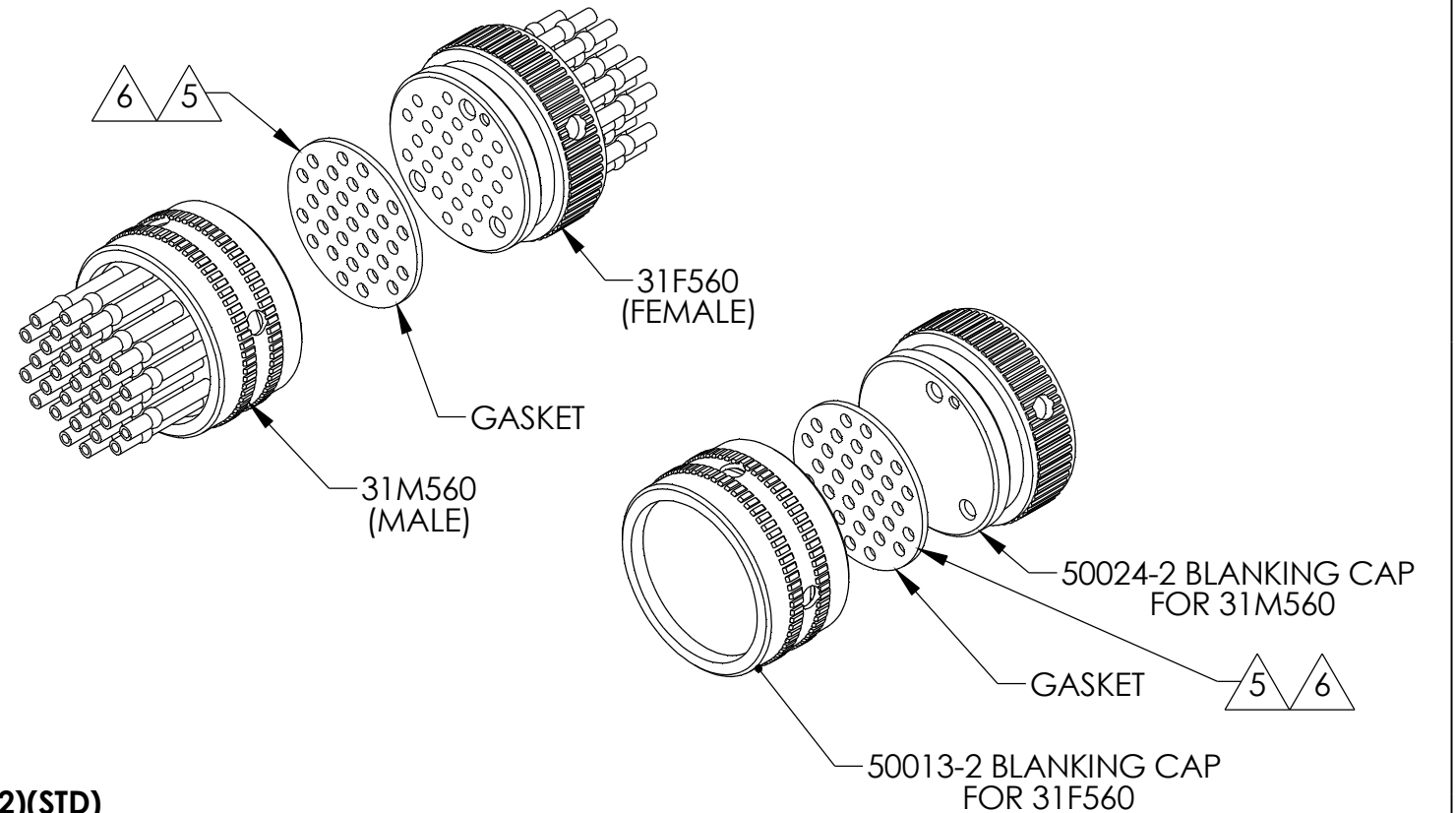
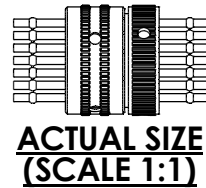
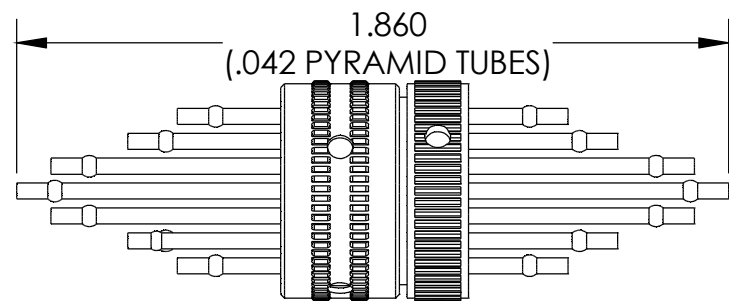
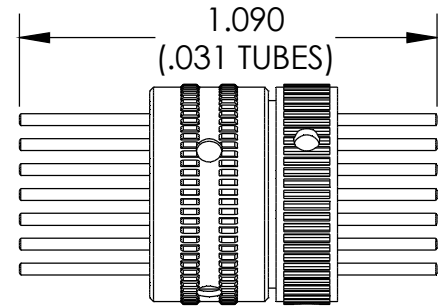
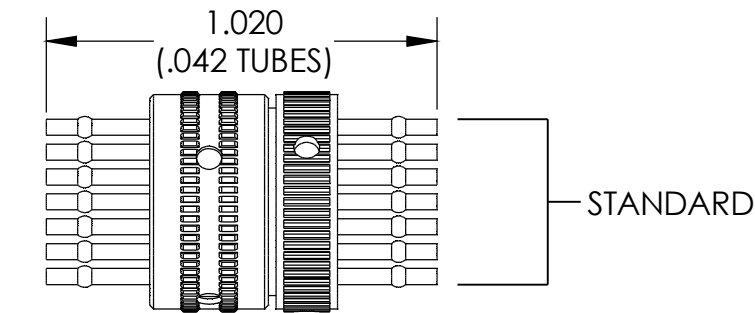


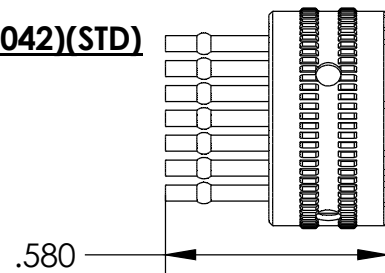
NOTES:

1. MAX PRESSURE: 100PSI
2. DIMENSIONS: INCHES
3. REFER TO PRODUCTS:
31M560 (MALE)
 50150-1 (.042)(STD)
 50150-3 (.031)
 50150-7 (.042 PYRAMID)
31F560 (FEMALE)
 50150-2 (.042)(STD)
 50150-4 (.031)
 50150-8 (.042 PYRAMID)
31FB560 (FEMALE BULKHEAD)
 50150-5 (.042)
 50150-6 (.031)
4. WRENCH PART #50190-6
5. GASKET MATERIAL:
 50159-1 (NEOPRENE)
 50159-2 (SILICONE)-STANDARD
6. GASKET SUPPLIED WITH MALE CONNECTOR.

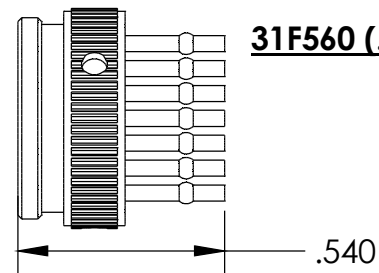
REVISIONS			
REV	DESCRIPTION	DATE	APPROVED
-		1-14-19	RP



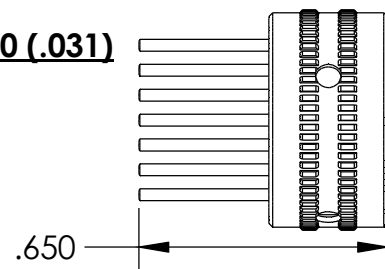
31M560 (.042)(STD)



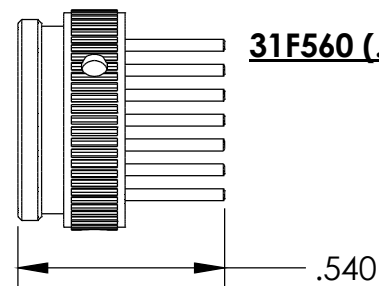
31F560 (.042)(STD)



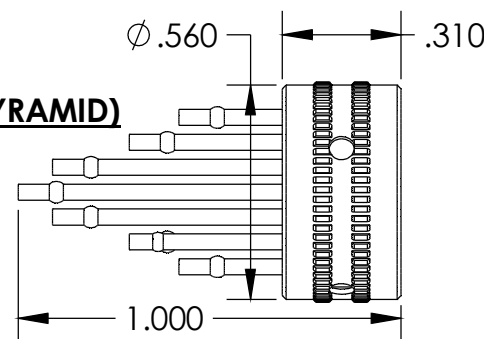
31M560 (.031)



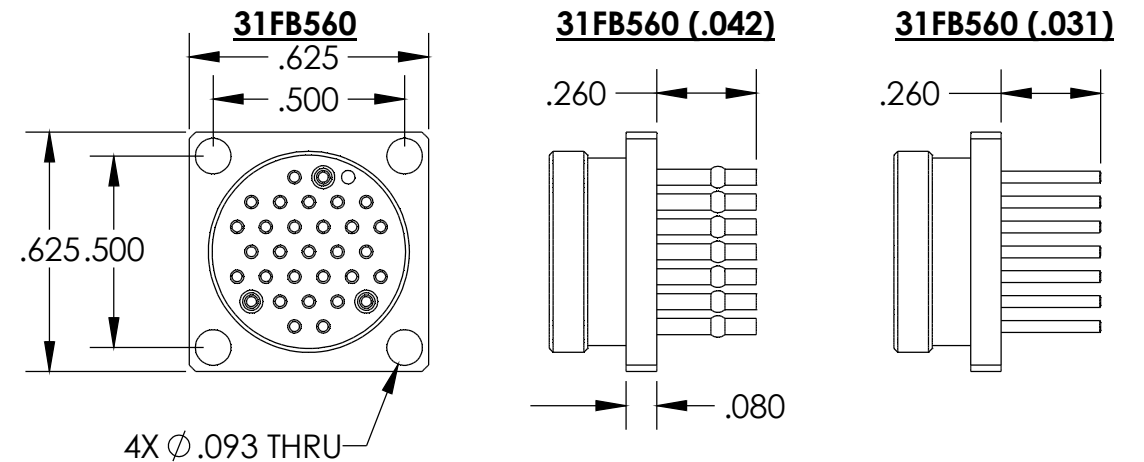
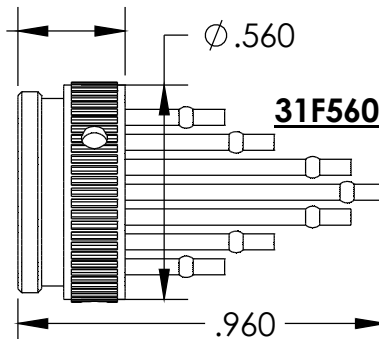
31F560 (.031)



31M560 (.042 PYRAMID)



31F560 (.042 PYRAMID)



UNLESS OTHERWISE SPECIFIED:		DATE	NAME	Scanivalve Corp. LIBERTY LAKE, WA
DIMENSIONS ARE IN INCHES	DRAWN	2-29-12	BCB	
TOLERANCES:	CHECKED	2-29-12	AE	
TWO PLACE DECIMAL $\pm .015$	ENGINEER	2-29-12	BCB	
THREE PLACE DECIMAL $\pm .005$				TITLE:
SHEETMETAL PARTS $\pm .010$				31 PORT CONN., .042 & .031 (31M560/31F560)
VALUED CUSTOMER:				SIZE
CUSTOMER APPROVAL:	DATE:			DWG. NO.
				B
				81286-1
				REV
				-
DO NOT SCALE DRAWING	CAD: SOLIDWORKS 2010	SCALE: 2:1	ERO#:	SHEET 1 OF 1