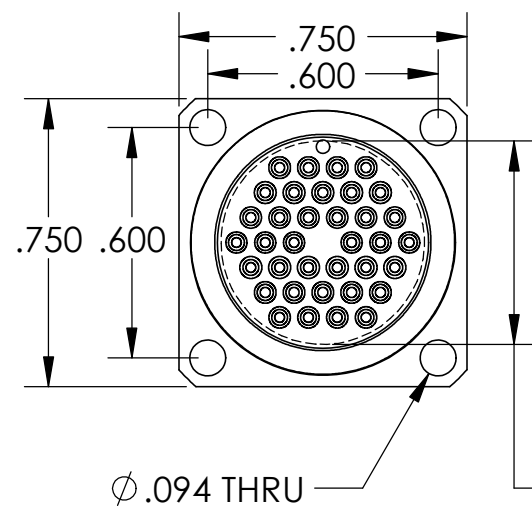
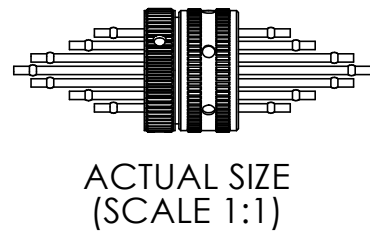
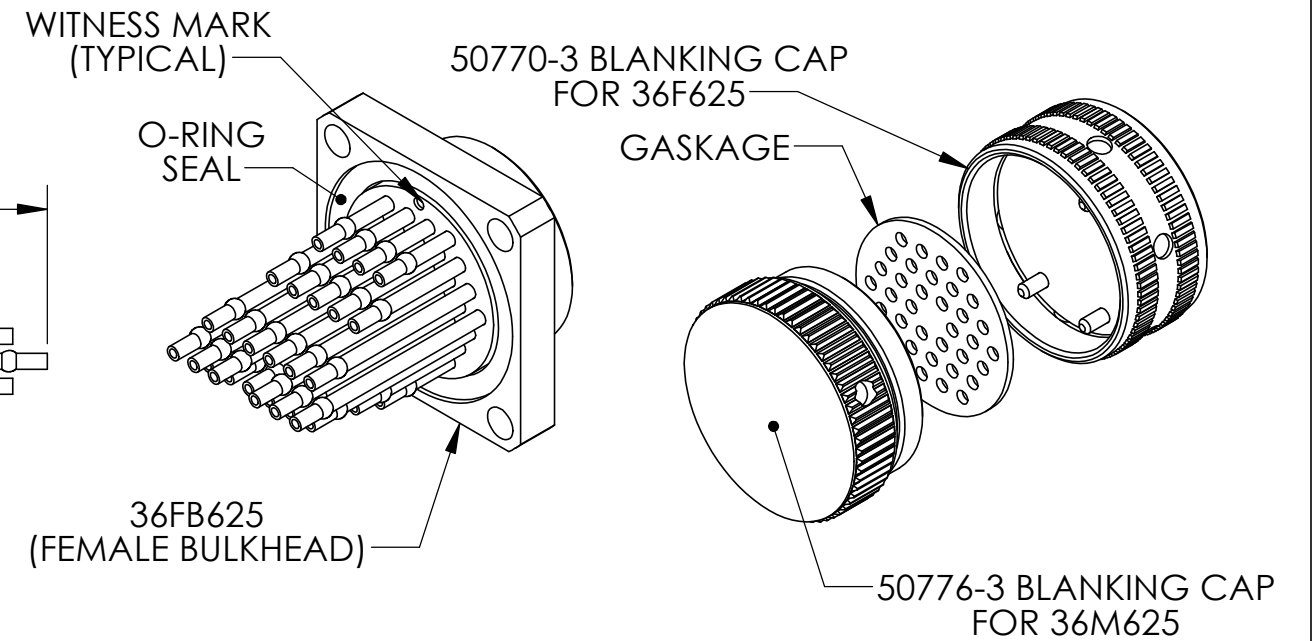
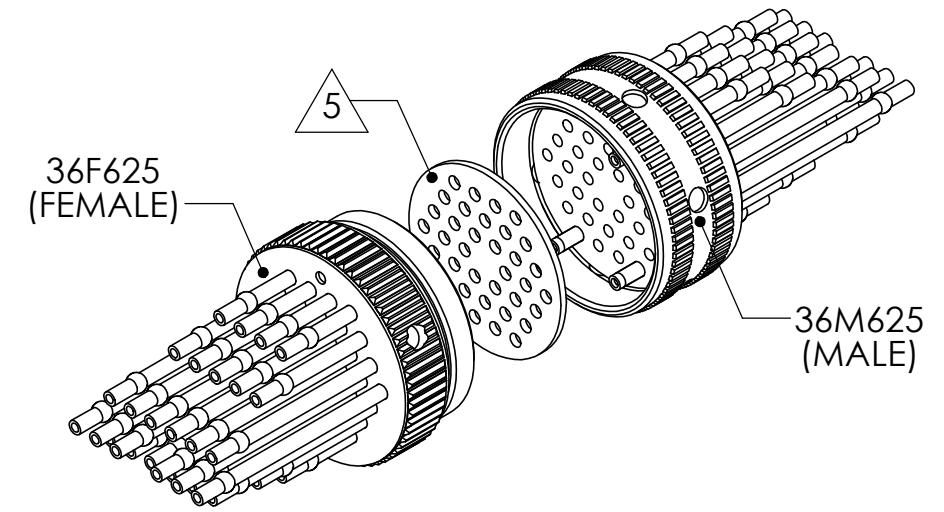
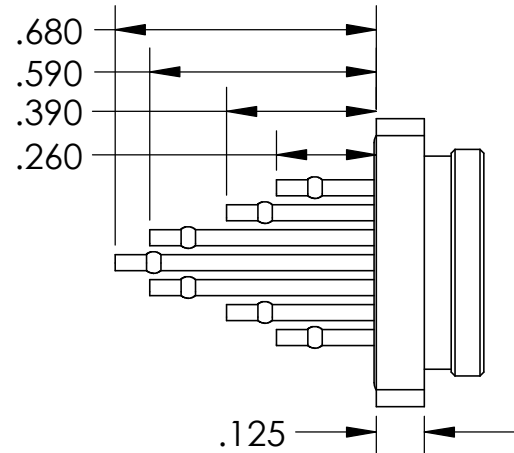
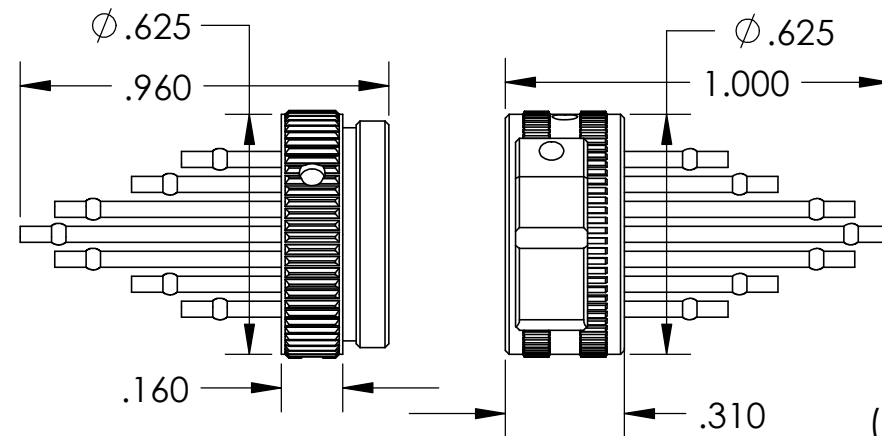
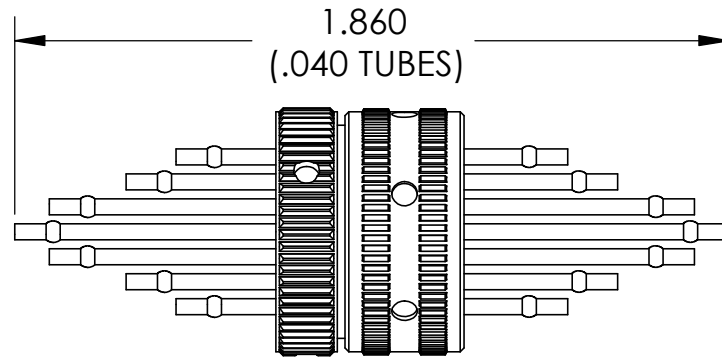
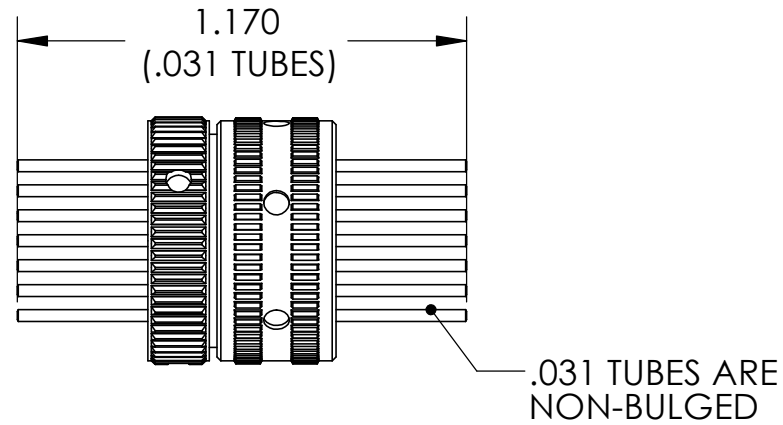


NOTES:

1. MAX PRESSURE: 100PSI
2. DIMENSIONS: INCHES
3. REFER TO PRODUCTS:
36M625
 50770-1 (.040)
 50770-2 (.031)
36F625
 50775-1 (.040)
 50775-2 (.031)
36FB625
 50780-1 (.040)
 50780-2 (.031)
4. WRENCH PART #50190-8
5. GASKET INCLUDED WITH MALE CONNECTOR
6. GASKET MAT'L:
 SILICONE - STANDARD
 NEOPRENE - UPON REQUEST
 REF: PART# 50778-X
7. BLANKING CAPS:
 50776-3 CAP FOR 36M625
 50770-3 CAP FOR 36F625

REVISIONS			
REV.	DESCRIPTION	DATE	APPROVED
B	ADD BLANKING CAP DETAIL	1-17-19	RP



ϕ .530 RECOMMENDED
PANEL HOLE SIZE

-1 36 PORT CONNECTOR (36M625/36F625), .040 & .031 TUBE

UNLESS OTHERWISE SPECIFIED:		DATE	NAME	Scanivalve Corp. LIBERTY LAKE, WA TITLE: 36 PORT CONN., .040 & .031 (36M625 / 36F625)
DIMENSIONS ARE IN INCHES		DRAWN	BCB	
TOLERANCES:		CHECKED	AE	
TWO PLACE DECIMAL \pm .015		ENGINEER	BCB	
THREE PLACE DECIMAL \pm .005				SIZE
SHEETMETAL PARTS \pm .010		9-16-10		DWG. NO.
VALUED CUSTOMER:				REV
CUSTOMER APPROVAL:				B
DATE:				81257
DO NOT SCALE DRAWING				SCALE: 2:1
CAD: SOLIDWORKS 2009				ERO#: A-786
				SHEET 1 OF 1