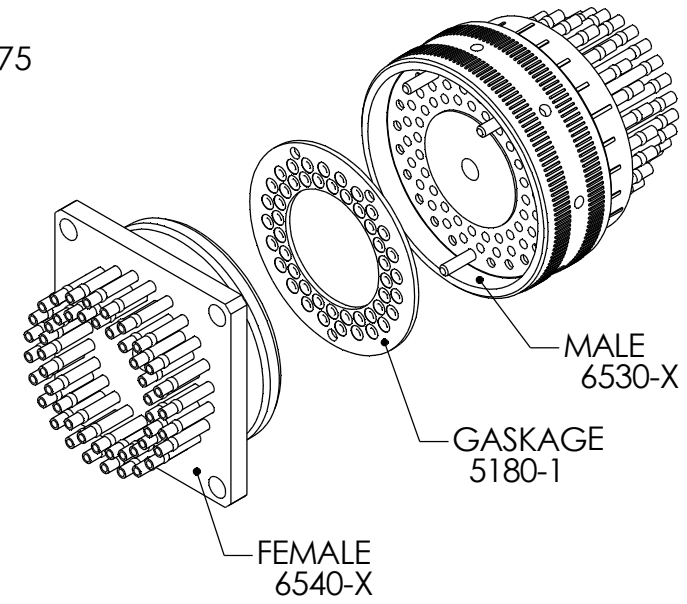
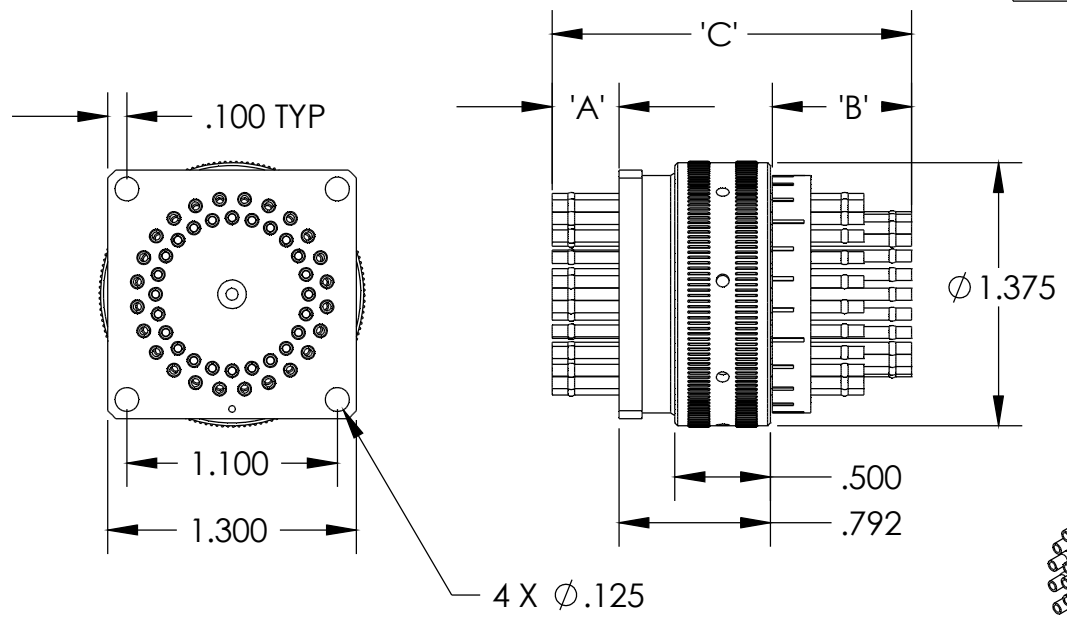
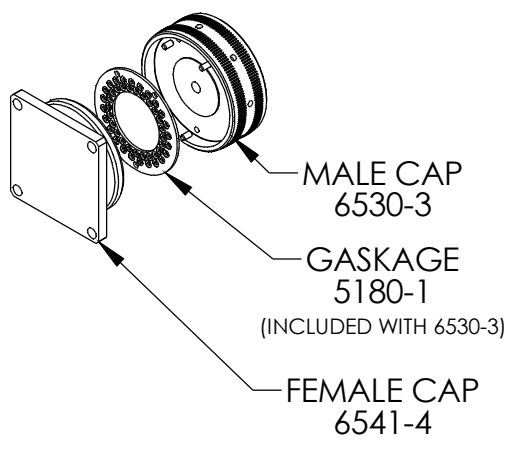


NOTES:
 1. 48ZOC CONNECTORS: 6540-X FEMALE, 6530-X MALE

REVISIONS			
REV	DESCRIPTION	DATE	APPROVED
A	ADD DIMENSIONS	8-04	BCB
B	ADD CAP INFO	1-11-19	RP



TUBES	'A'	'B'	'C'
0.063	0.350	1.300	2.440
0.042	0.260	0.990	2.040



UNLESS OTHERWISE SPECIFIED: DIMENSIONS ARE IN INCHES TOLERANCES: TWO PLACE DECIMAL ± .015 THREE PLACE DECIMAL ± .005 SHEET/METAL PARTS ± .010 BEND RADIUS .06 MAX ANGULARITY ± 1.5°		DATE	NAME
	DRAWN	1-30-14	BCB
	CHECKED	3-9-03	AP
	ENGINEER	3-9-03	BCB
MODEL REV: A			
MATERIAL			
FINISH			
TOOLBOX			
DO NOT SCALE DRAWING			
CAD: SOLIDWORKS 2014			

Scanivalve
LIBERTY LAKE, WA

TITLE:
**48ZOC CONNECTOR
 OUTLINE**

SIZE	DWG. NO.	REV
A	81007	B

SCALE: N/A ERO#: SHEET 1 OF 1