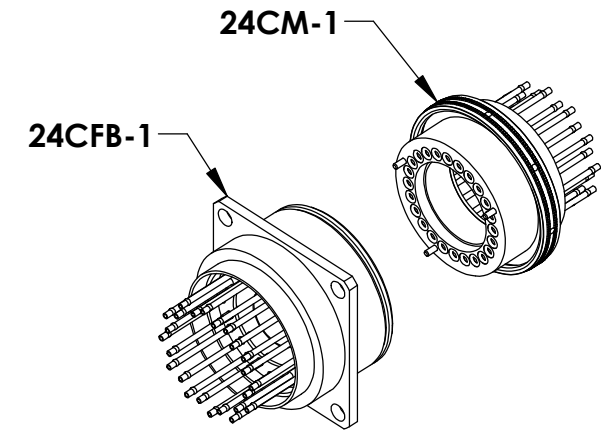
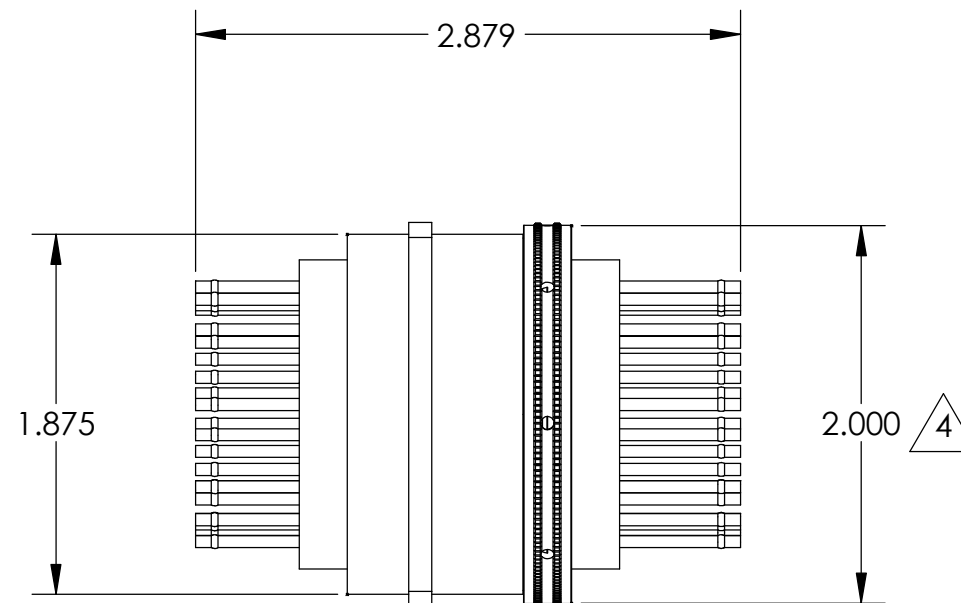
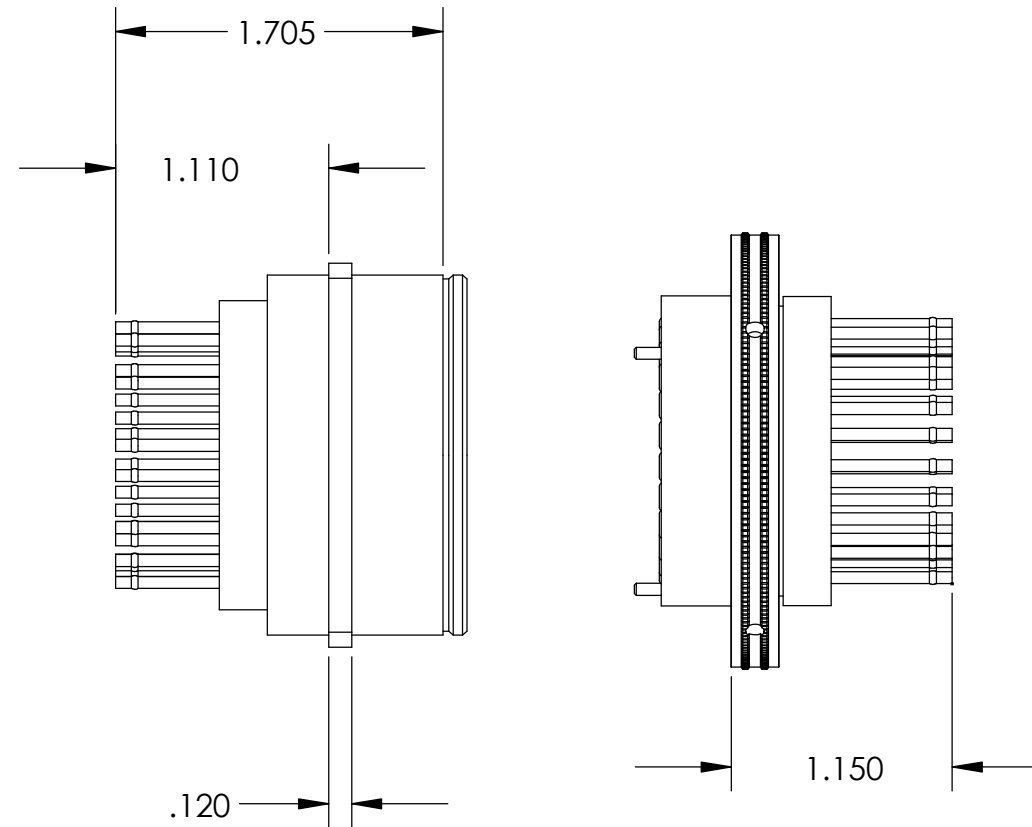
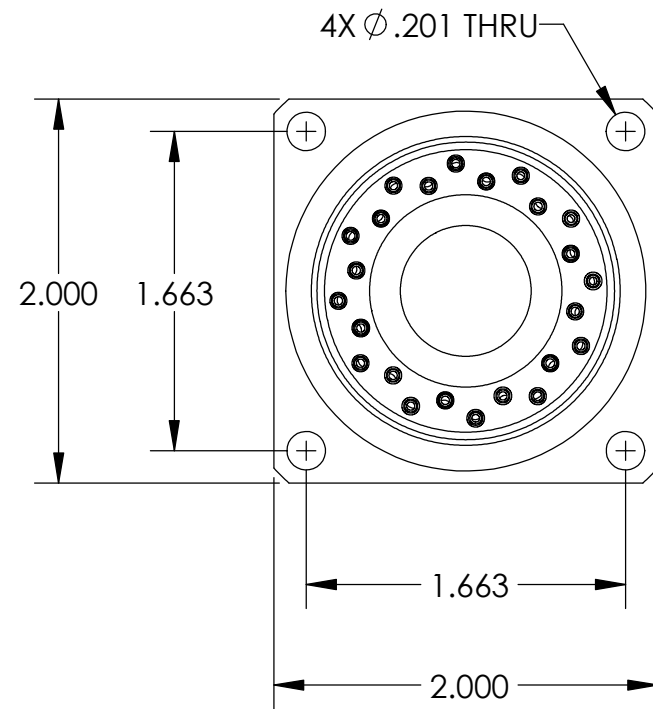


**NOTES:**

1. MAX PRESSURE: 500PSI
2. DIMENSIONS: INCHES
3. .125 TUBING CONNECTOR IS OPTIONAL
4. SHOWN WITH 2" RETAINER (OPTIONAL), 3" RETAINER IS STANDARD

**REVISIONS**

REV	DESCRIPTION	DATE	APPROVED
A	UPDATE ISO LABELS	1-8-18	SH
B	ADD BLANKING DETAIL	1-17-19	RP
C	FIX ISO VIEWS	1-18-19	RP



65020-14 BLANKING CAP FOR 24CM

65010-9 BLANKING CAP FOR 24CF

**-1 24 PORT CONNECTOR (24CM-1/ 24CFB-1), .063 TUBE OUTLINE DRAWING**

UNLESS OTHERWISE SPECIFIED: DIMENSIONS ARE IN INCHES TOLERANCES: TWO PLACE DECIMAL ±.015 THREE PLACE DECIMAL ±.005		DATE	NAME	<b>Scanivalve</b> LIBERTY LAKE, WA TITLE: 24 PORT CONNECTOR (24CM-1 / 24CFB-1), .063 TUBE OUTLINE DRAWING
DRAWN	4-16-18	SH		
CHECKED	4-16-18	BCB		
ENGINEER	5-25-17	BCB		
SHEETMETAL PARTS ±.010 BEND RADIUS .06 MAX ANGULARITY ±1.5°		MODEL REV: C		SIZE DWG. NO. REV B 80190 C
MATERIAL		SCALE: N/A ERO#:		
FINISH		SHEET 1 OF 1		
TOOLBOX		CAD: SOLIDWORKS 2017		
DO NOT SCALE DRAWING		SCALE: N/A ERO#:		