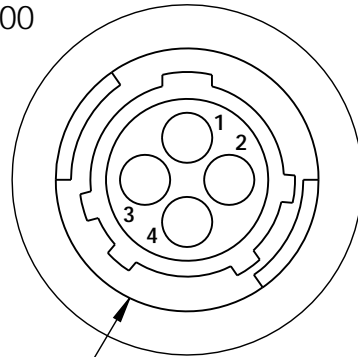


**NOTES:**

1. REFER TO PRODUCT #145090-1
2. WEIGHT: 12.16 oz. (345 g)
3. CABLE SUPPLIED WITH PDM1500
4. DIMENSIONS IN INCHES

REVISIONS			
REV.	DESCRIPTION	DATE	APPROVED
B	ECN J-159	10-2-17	SH

CO-740		
P1	+VDC	RED
P2	RTN	BLK
P3	GROUND	GRN
P4	UNUSED	



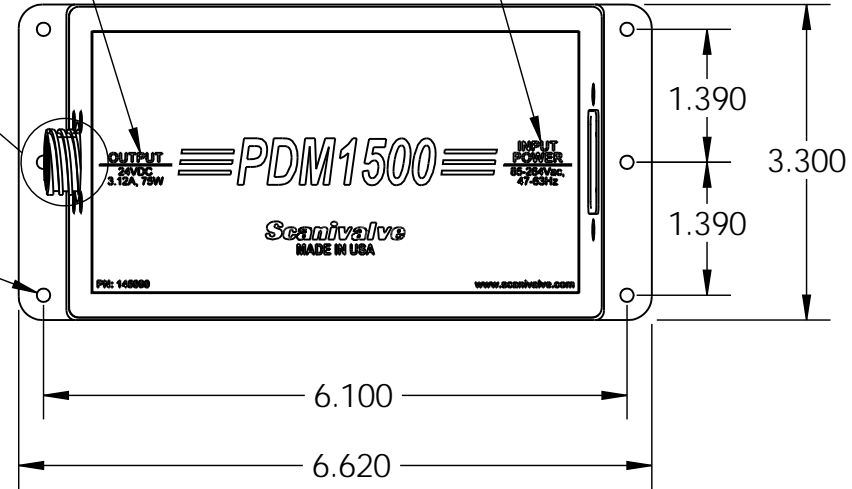
VIEW A

S/V PART #CO-740  
AMP #206430-1, SCKT #66105-4

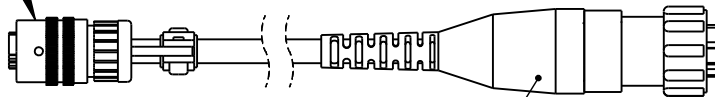
6X Ø .140 THRU  
FOR #4 SCREWS

OUTPUT  
24VDC  
3.12A, 75W

POWER ENTRY  
90-264VAC 47-63 Hz



CABLE #155819-1



MATING CONNECTOR  
AMP #206429-1, PIN #66103-4  
AMP #207490-1, CABLE GRIP  
AMP #207489-1, CABLE BOOT

**-1 PDM1500 POWER DISTRIBUTION MODULE**  
**(OUTLINE DRAWING)**

		DATE	NAME	<b>Scanivalve</b> LIBERTY LAKE, WA	
DRAWN	9-29-17	SH			
CHECKED	9-29-17	BCB		TITLE:  PDM 1500  OUTLINE DRAWING	
ENGINEER	9-29-17	SH			
MODEL REV: B					
ASSEMBLY DRAWING		SIZE A	DWG. NO. 80758	REV B	
CAD: SOLIDWORKS 2017		SCALE: N/A	ERO#: B-014	SHEET 1 OF 1	