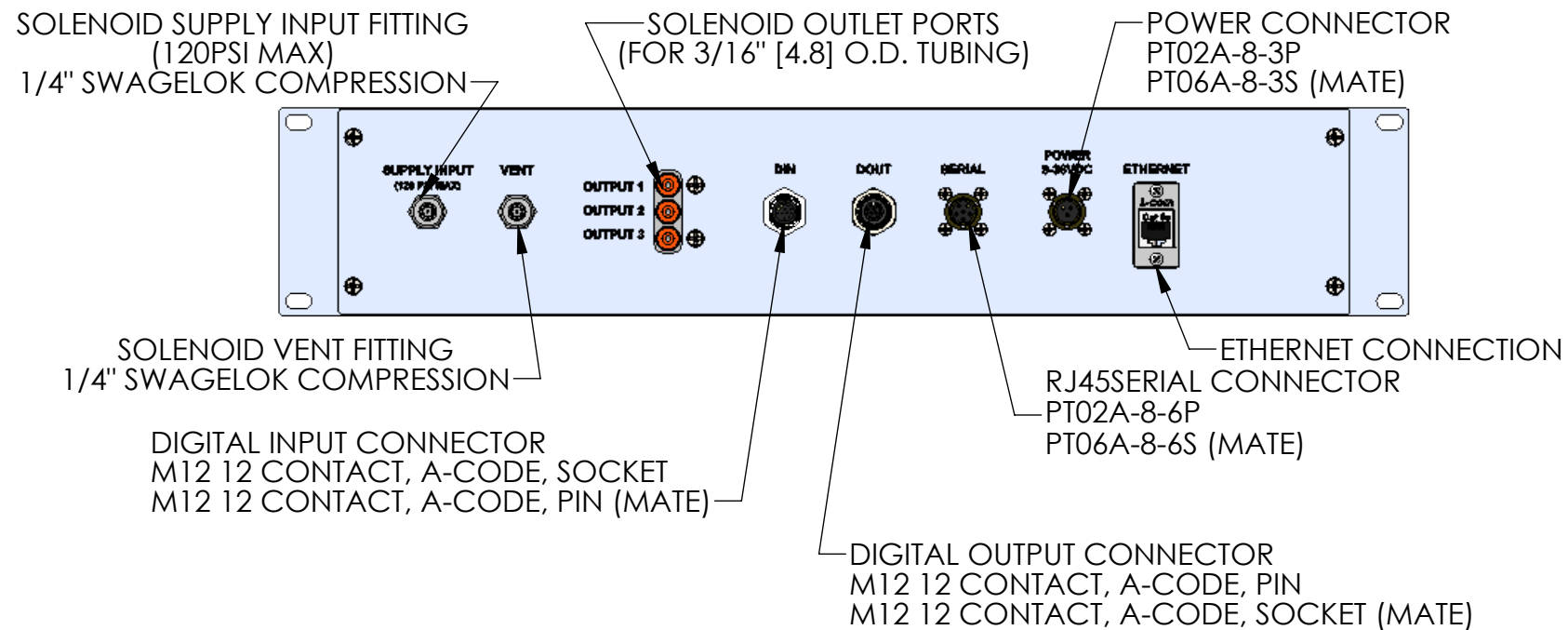
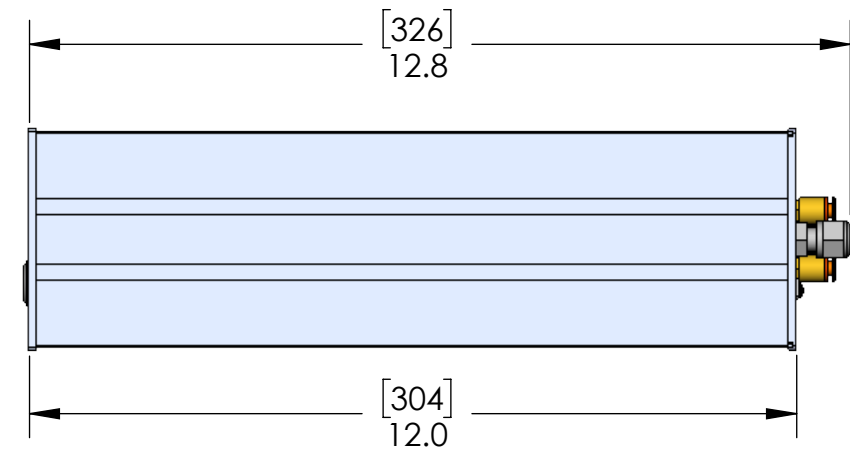
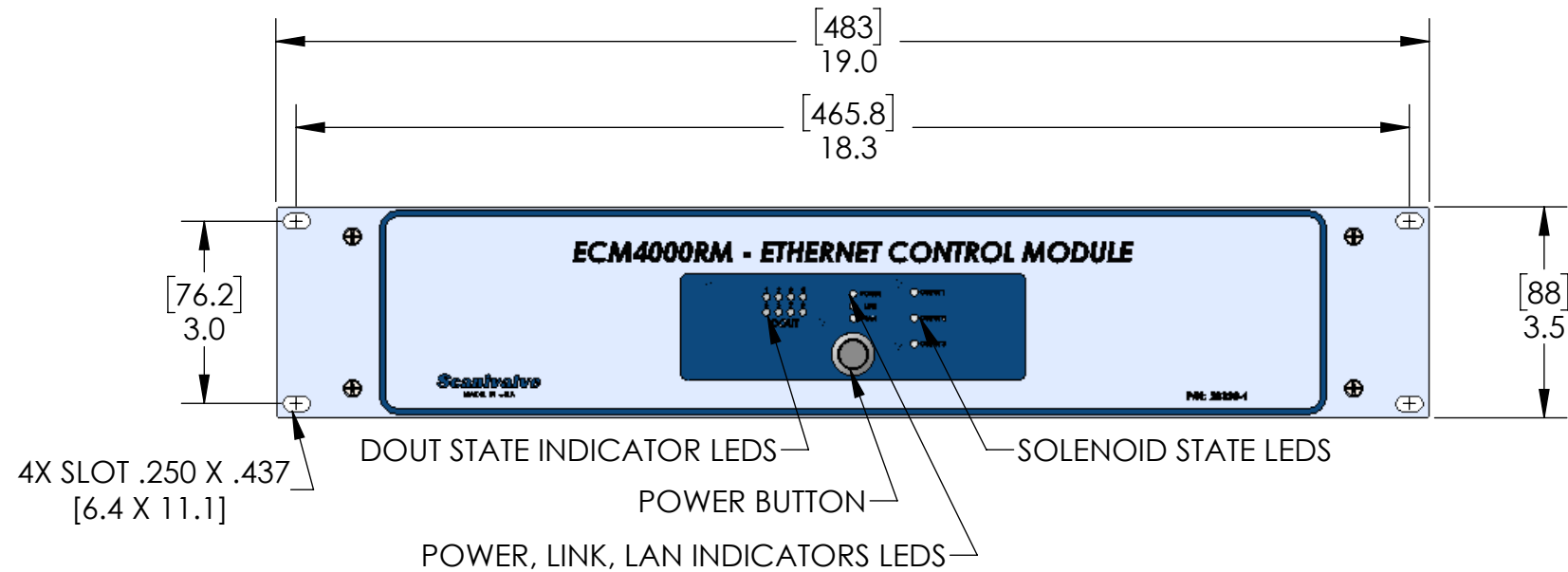



NOTES:

1. ALL DIMENSIONS IN INCHES [MM].
2. REFERENCE THE ECM4000 USER MANUAL.
3. MATING CONNECTOR OR CABLE WITH FLYING LEADS PROVIDED.
4. POWER REQUIREMENTS: 9-36VDC, 6.5W.
5. WEIGHT: 6.5 LBS [2.95KG].

REVISIONS			
REV	DESCRIPTION	DATE	APPROVED
-	INITIAL RELEASE	7-8-21	AA



ECM4000 RACKMOUNT OUTLINE

UNLESS OTHERWISE SPECIFIED: DIMENSIONS ARE IN INCHES TOLERANCES: TWO PLACE DECIMAL ± .015 THREE PLACE DECIMAL ± .005 SHEETMETAL PARTS ± .025 BEND RADIUS .06 MAX ANGULARITY ± 1.5°	DATE	NAME	 LIBERTY LAKE, WA TITLE: ECM4000 RACKMOUNT OUTLINE	
	DRAWN	7-8-21		AA
	CHECKED	7-8-21		MG
ENGINEER	7-8-21	AA		
VALUED CUSTOMER:				
CUSTOMER APPROVAL:	DATE:	SIZE	DWG. NO.	
		B	80174	
DO NOT SCALE DRAWING	CAD: SOLIDWORKS 2019	SCALE: N/A	ERO#: SHEET 1 OF 1	