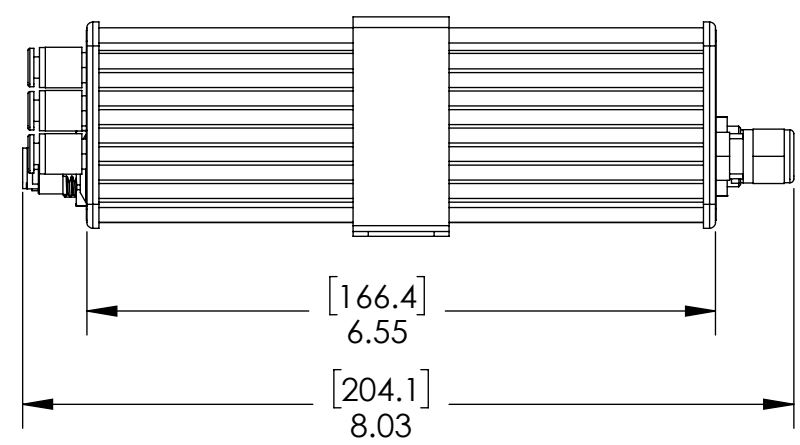
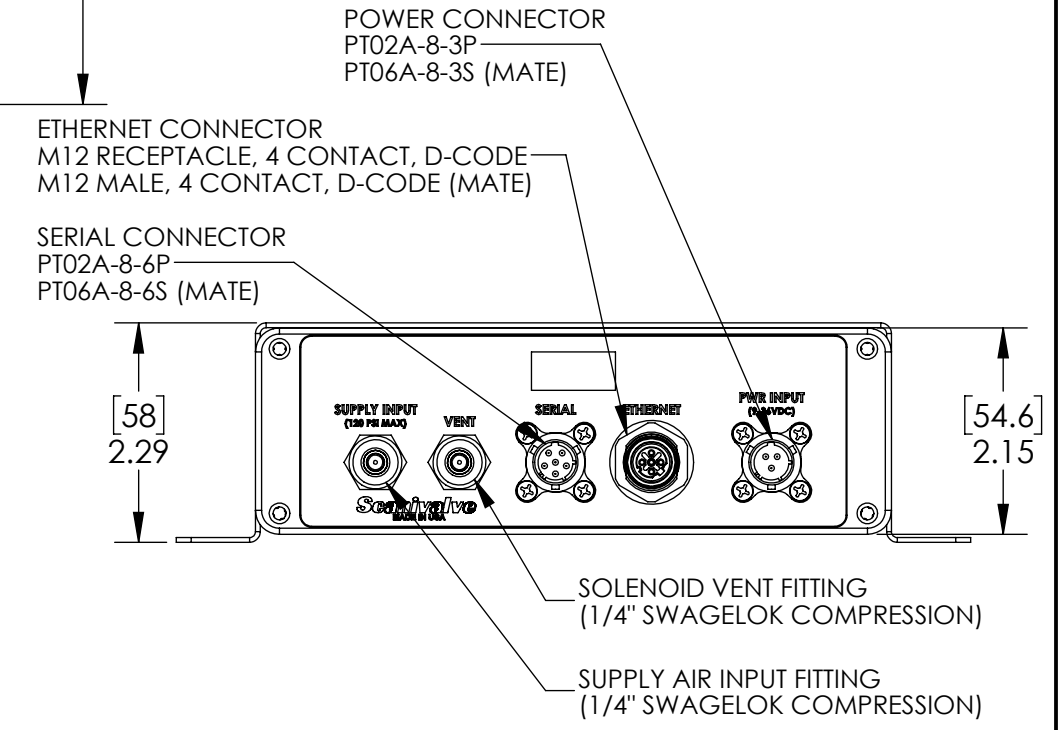
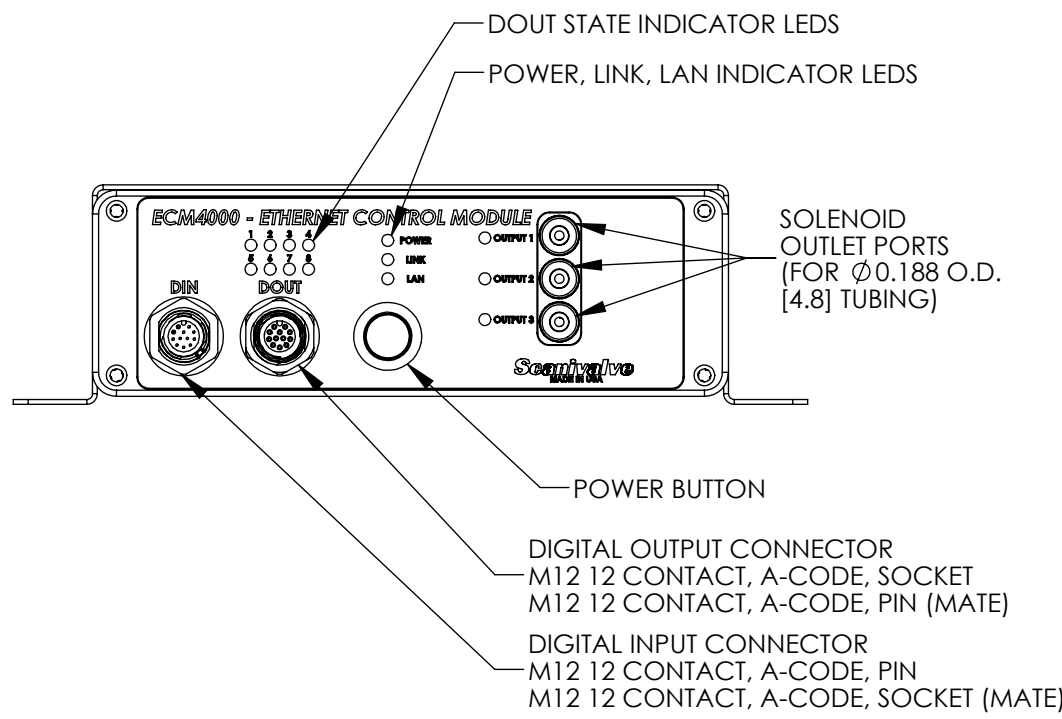
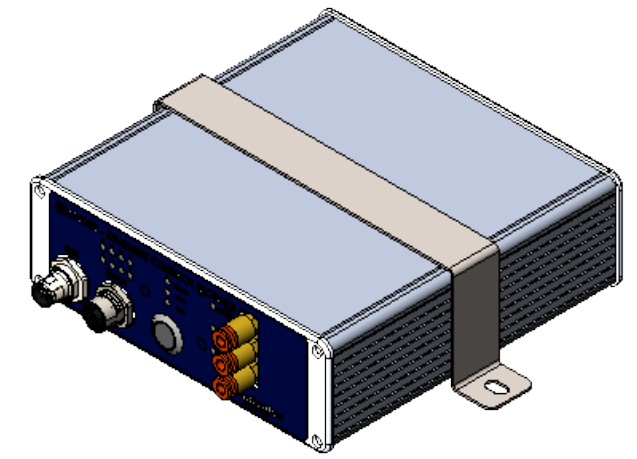
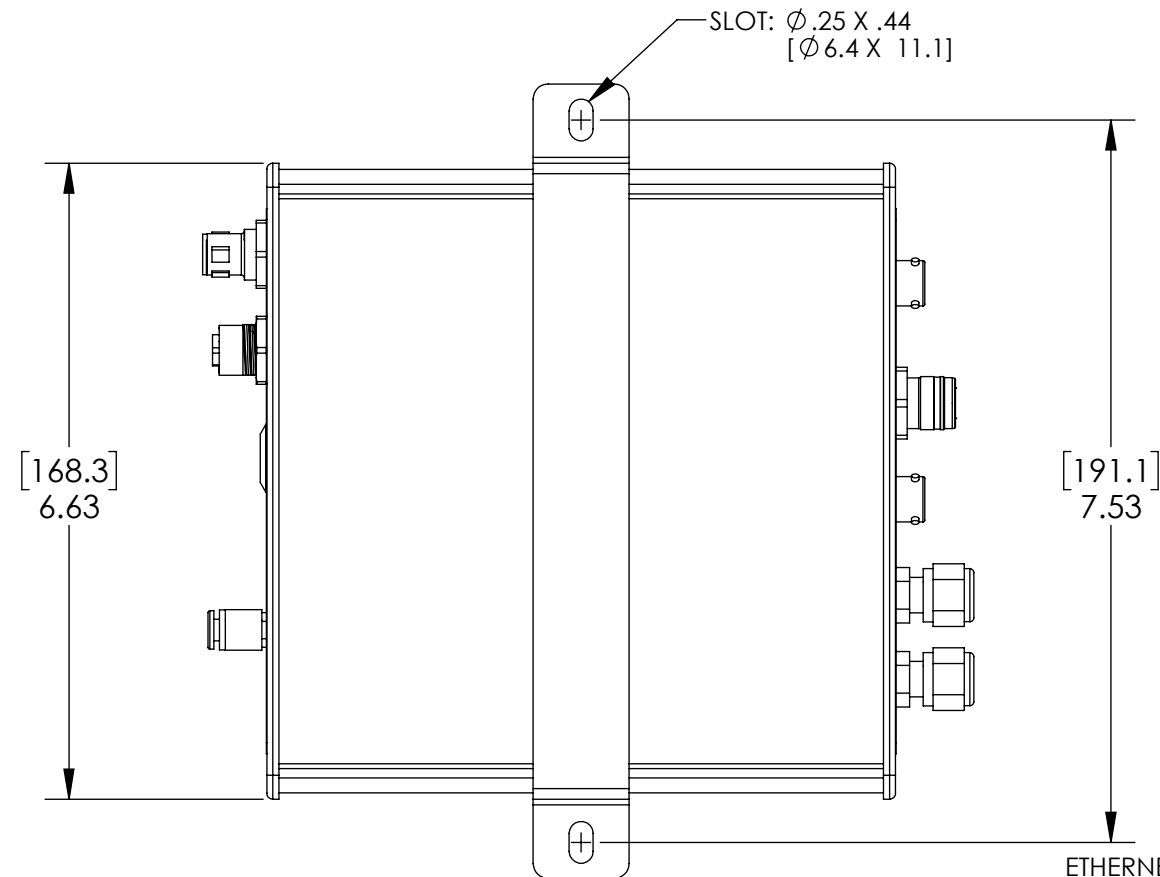


**NOTES:**

1. MATING CONNECTOR OR CABLE WITH FLYING LEADS PROVIDED.
2. POWER INPUT REQUIREMENTS:
  1. 9-36VDC
  2. 6.5W MAX
  3. 65W MAX W/ HEATER
3. WEIGHT:
  1. 2.31 LBS [1.05KG] STANDARD
  2. 2.43 LBS [1.10KG] WITH HEATER

REVISIONS			
REV	DESCRIPTION	DATE	APPROVED
-	INITIAL RELEASE	4-20-20	AA
A	SERIAL CONNECTOR	11-17-20	RP



**-1 ECM4000 ETHERNET CONTROL MODULE**  
**-2 ECM4000 ETHERNET CONTROL MODULE (WITH HEATER)**

UNLESS OTHERWISE SPECIFIED: DIMENSIONS ARE IN INCHES TOLERANCES: TWO PLACE DECIMAL $\pm .015$ THREE PLACE DECIMAL $\pm .005$		DRAWN	7-10-19	RAP	<b>Scanivalve</b> LIBERTY LAKE, WA TITLE: ECM4000 - ETHERNET CONTROL MODULE OUTLINE DRAWING	
SHEETMETAL PARTS $\pm .010$ BEND RADIUS .06 MAX ANGULARITY $\pm 1.5^\circ$		CHECKED	7-10-19	AA		
VALUED CUSTOMER:		ENGINEER	4-20-20	RP		
CUSTOMER APPROVAL:		DATE:		SIZE	DWG. NO.	REV
				B	80143	A
DO NOT SCALE DRAWING		CAD: SOLIDWORKS 2018		SCALE: N/A ERO#:		SHEET 1 OF 1