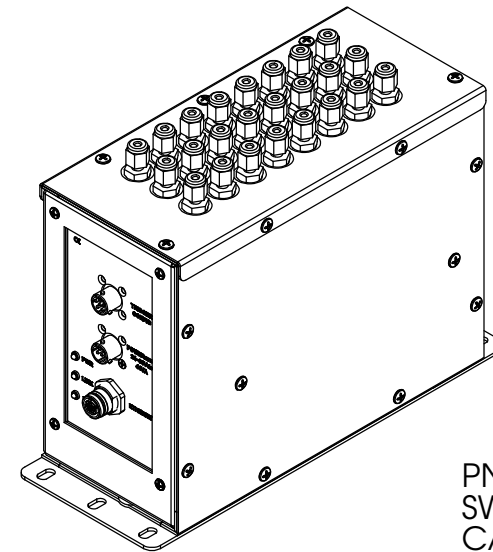


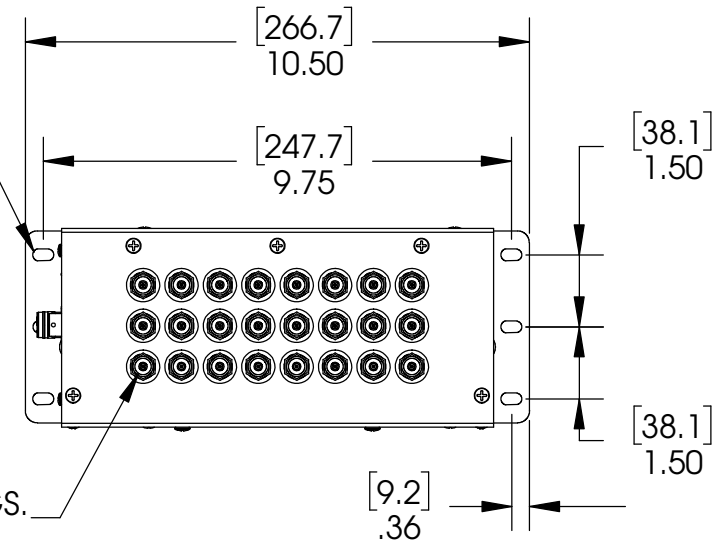
NOTES:

1. ALL DIMENSIONS IN INCHES (MM)
2. CONNECTOR PINOUTS AVAILABLE IN THE DSA3200-PTP PRODUCT MANUAL

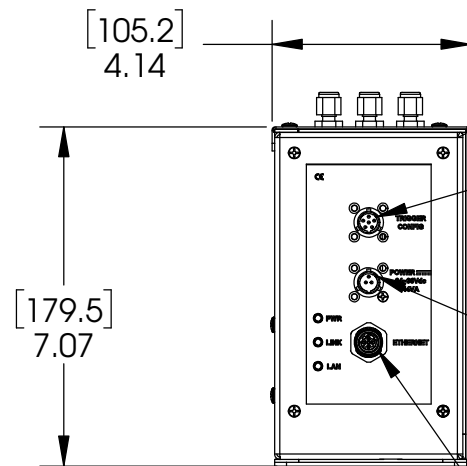
| REVISIONS | | | |
|-----------|-----------------|---------|----------|
| REV | DESCRIPTION | DATE | APPROVED |
| - | INITIAL RELEASE | 5/23/18 | RAP |



6X MOUNTING HOLES
0.437 (11.1) X 0.250 (6.4)
(SLOT)



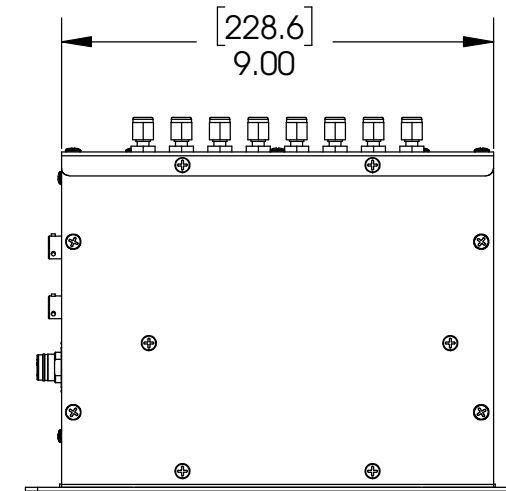
PNEUMATIC INPUTS:
SWAGELOK COMPRESSION FITTINGS.
CAN BE:
1/16", 1/8", 1/4", 3MM, 6MM



EXTERNAL TRIGGER /
BACKUP COMMUNICATIONS:
BULKHEAD: JT02RE8-6P BENDIX
MATE: JT01RE8-6S BENDIX


POWER (20V-36VDC)
BULKHEAD: PT02A-8-3P BENDIX
MATE: PT06A-8-3S BENDIX

ETHERNET (100BASE T)
BULKHEAD: MOLEX 4-PIN, D-CODED
"ULTRALOCK" FEMALE M12
MATE: ANY 4-PIN, D-CODED MALE M12



SPECIFICATIONS:

WEIGHT: 9.9LBS (4.49kg) (WILL VARY WITH OPTIONS)
 POWER INPUT: 20VDC - 36VDC (8W, OR 35W WITH HEATER)
 OPERATING TEMPERATURE RANGE: 0°C - +60°C
 OPERATING TEMPERATURE RANGE, WITH HEATER: -55°C - +60°C
 OPERATING TEMPERATURE RANGE, WITH COOLING KIT: 0°C - +80°C
 OPERATIONAL HUMIDITY: 5 TO 95% RH, NON-CONDENSING
 SHOCK & VIBRATION: MIL-STD-810D, CURVE H

| | | | | | | |
|----------------------------------------------------------------------------------------------------------------------------------|--|----------------------|-----------|------------------|------------------------------------------------------------------------------------------------------------------------------------------------------------|--------------|
| UNLESS OTHERWISE SPECIFIED: DIMENSIONS ARE IN INCHES TOLERANCES: TWO PLACE DECIMAL ± .015 THREE PLACE DECIMAL ± .005 | | DRAWN | 5/23/2018 | RAP |  LIBERTY LAKE, WA TITLE: DSA3218-PTP/16Px OUTLINE DRAWING | |
| SHEETMETAL PARTS ± .010 BEND RADIUS .06 MAX ANGULARITY ± 1.5° | | CHECKED | 5/23/2018 | AJA | | |
| VALUED CUSTOMER: | | ENGINEER | 5/23/18 | RP | | |
| CUSTOMER APPROVAL: | | DATE: | | SIZE | DWG. NO. | REV |
| | | | | B | 80265 | - |
| DO NOT SCALE DRAWING | | CAD: SOLIDWORKS 2017 | | SCALE: N/A ERO#: | | SHEET 1 OF 1 |