

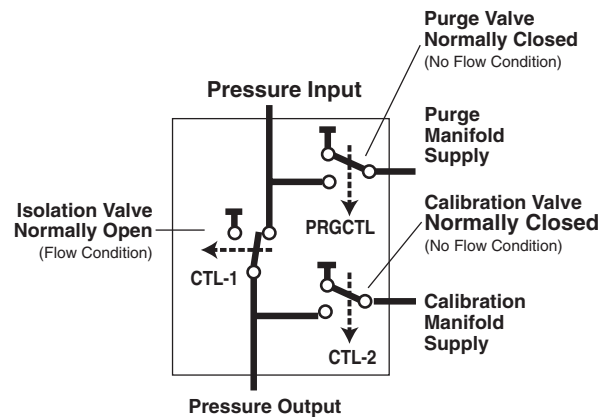
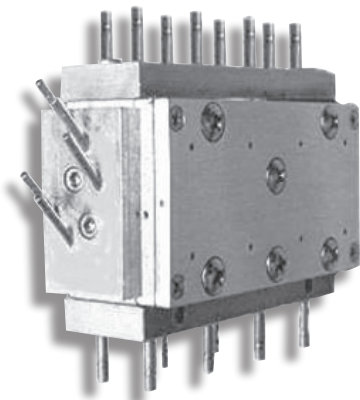
QUICK COUPLER ORDERING INFORMATION

		For Use on Tubing	
To Order, Specify	ScanCo #	.063 O.D.	.125 O.D.
Collet Each End	Model-2	QC063-2	QC125-2
Thread One End	Model-TH	QC063-TH8	QC125-TH25
Tube One End	Model-TUBN	QC063-TUBN063	QC125-TUBN125

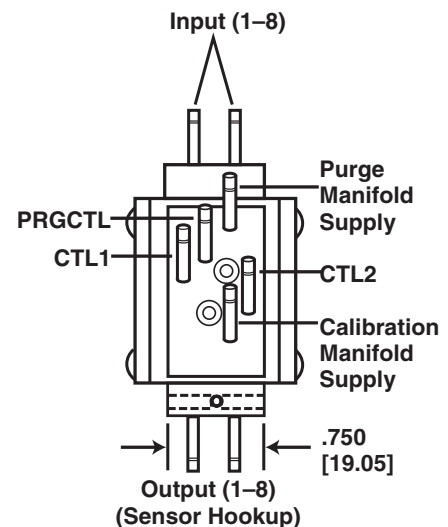
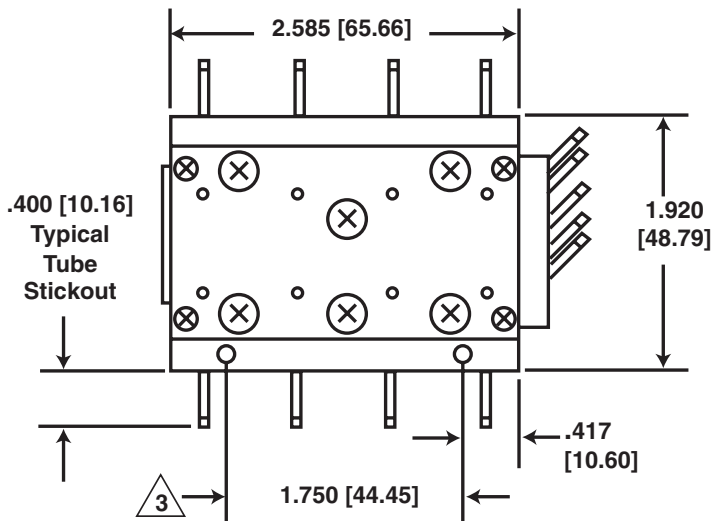
PNEUMATIC CALIBRATION/PURGE VALVE

This is a 3-way 8 channel(8P-3T) pneumatic logic valve ideal for calibrating up to 8 individual pressure transducers of similar pressure range. A 90–120 psi control pressure is required to switch the valve from the default measurement mode, to the calibration, purge or isolate mode. In the calibra-

tion mode, input pressures are isolated, allowing the user to apply a calibration to the 8 sensors that are manifolded together. The purge mode allows a purge pressure to be input and purge condensation or contamination back through the input tubes. Order Information: ZOCCAL/ADPT



Dimension Inches (mm)



Note: All tubulations are .063 O.D.