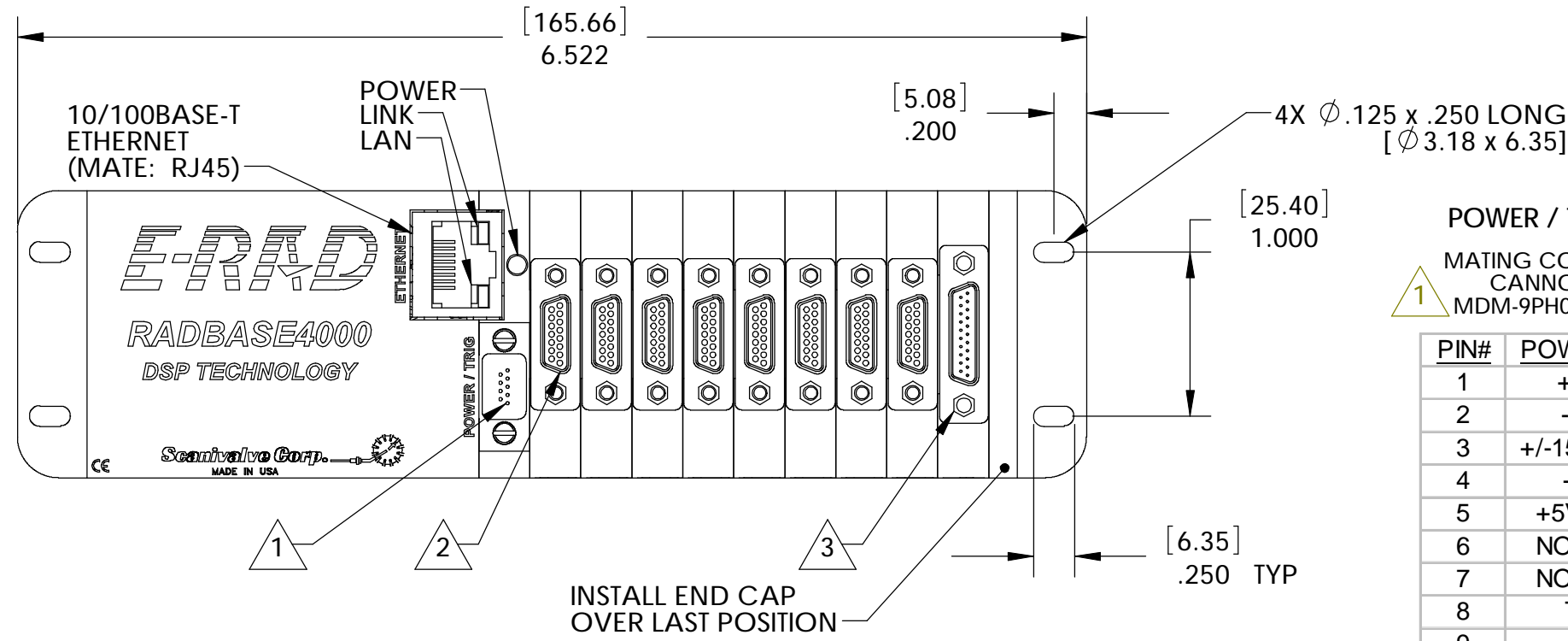


- NOTES:
 1. REFER TO DRAWING #21355 FOR PRODUCT DETAILS.
 2. DIMENSIONS IN INCHES [mm]



POWER / TRIGGER
 MATING CONNECTOR
 CANNON PN:
 MDM-9PH003K-A174

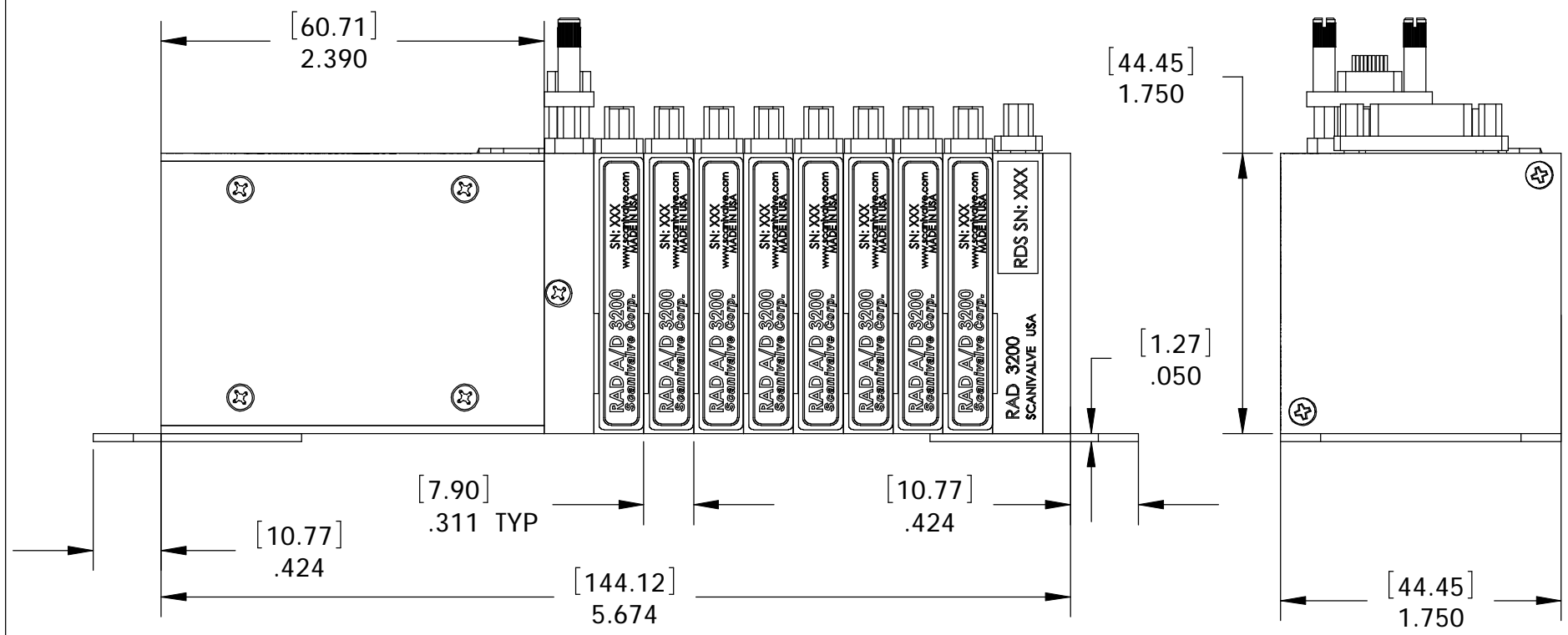
PIN#	POWER/TRIG
1	+15VDC
2	-15VDC
3	+/-15VDC RTN
4	+5VDC
5	+5VDC RTN
6	NOT USED
7	NOT USED
8	TRIG+
9	TRIG-


A/D SECTION
 MATING CONNECTOR
 CANNON PN:
 MDM-15SH003K

PIN#	A/D SECTION
1	ADDRESS 0
2	ADDRESS 1
3	ADDRESS 2
4	ADDRESS 3
5	ADDRESS 4
6	+15V
7	-15V
8	+TEMP
9	-TEMP
10	GND
11	+OUT
12	-OUT
13	NOT USED
14	ADDRESS 5
15	NOT USED

RDS SECTION
 MATING CONNECTOR
 CANNON PN:
 MDM-21PH003L-A174

PIN#	RDS SECTION
1	SW1-A
2	SW2-A
3	SW3-A
4	SW4-A
5	SW5-A
6	SW6-A
7	SW7-A
8	SW8-A
9	NC
10	NC
11	NC
12	SW1-B
13	SW2-B
14	SW3-B
15	SW4-B
16	SW5-B
17	SW6-B
18	SW7-B
19	SW8-B



UNLESS OTHERWISE SPECIFIED:		DATE	NAME	 LIBERTY LAKE, WA TITLE: RADBASE4000 (ERAD) OUTLINE DRAWING	
DIMENSIONS ARE IN INCHES		DRAWN	2-16-10		BCB
TOLERANCES:		CHECKED	2-16-10		BCB
TWO PLACE DECIMAL ± .015		ENGINEER	2-16-10		BCB
THREE PLACE DECIMAL ± .005		2-16-10			
SHEETMETAL PARTS ± .010					
VALUED CUSTOMER:				SIZE	
N/A				B	
CUSTOMER APPROVAL:			DATE:	DWG. NO.	
				81243	
				REV	
				00	
DO NOT SCALE DRAWING		CAD: SOLIDWORKS 2009	SCALE: 1:1	ERO#:	
				SHEET 1 OF 1	