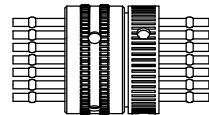
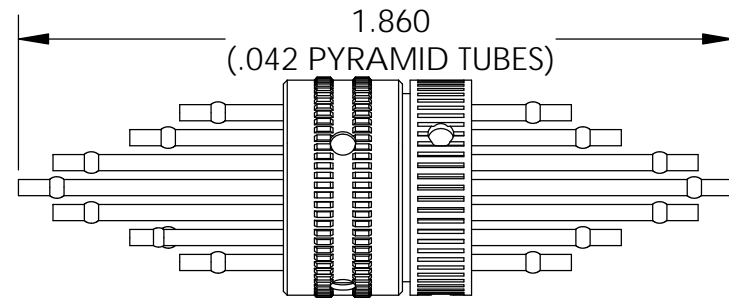
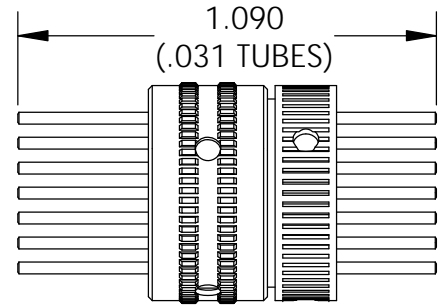
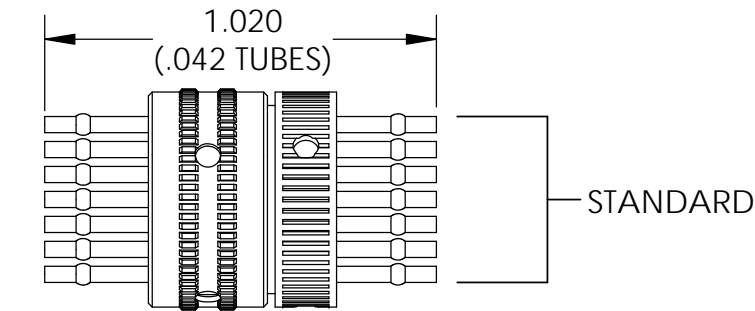
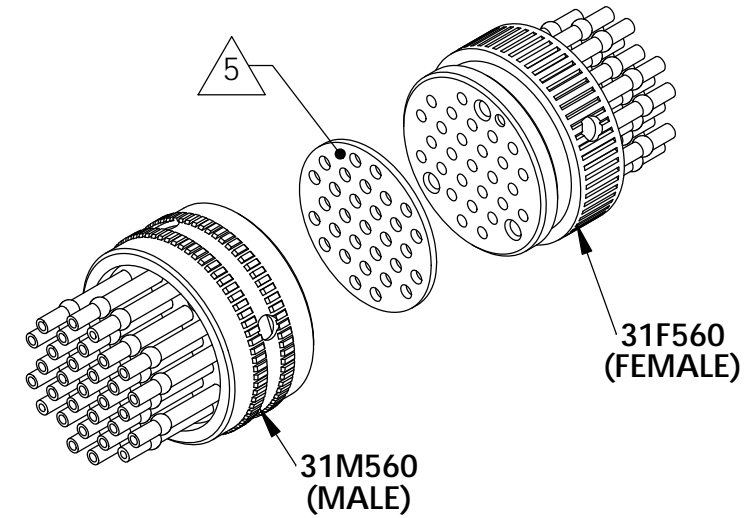


NOTES:

1. MAX PRESSURE: 100PSI
2. DIMENSIONS: INCHES
3. REFER TO PRODUCTS:
31M560 (MALE)
 50150-1 (.042)(STD)
 50150-3 (.031)
 50150-7 (.042 PYRAMID)
31F560 (FEMALE)
 50150-2 (.042)(STD)
 50150-4 (.031)
 50150-8 (.042 PYRAMID)
31FB560 (FEMALE BULKHEAD)
 50150-5 (.042)
 50150-6 (.031)
4. WRENCH PART #50190-6
5. GASKET MATERIAL:
 50159-1 (NEOPRENE)
 50159-2 (SILICONE)-STANDARD
- 6.

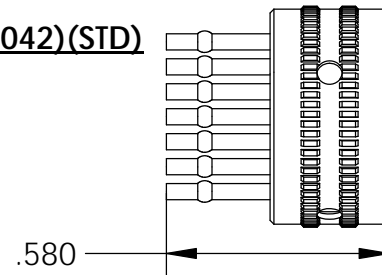


**ACTUAL SIZE
(SCALE 1:1)**

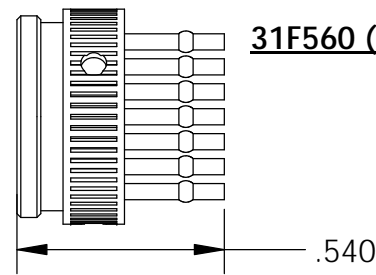


-1 31 PORT CONNECTOR (31M560 / 31F560), .042 & .031 TUBE

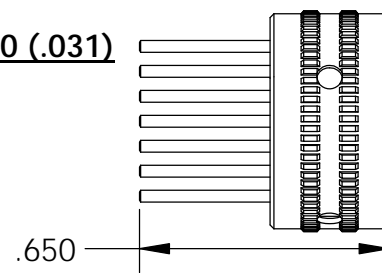
31M560 (.042)(STD)



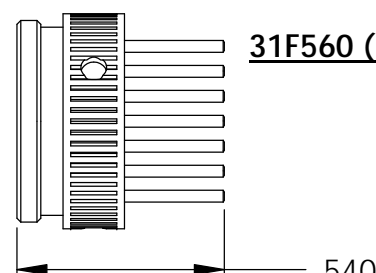
31F560 (.042)(STD)



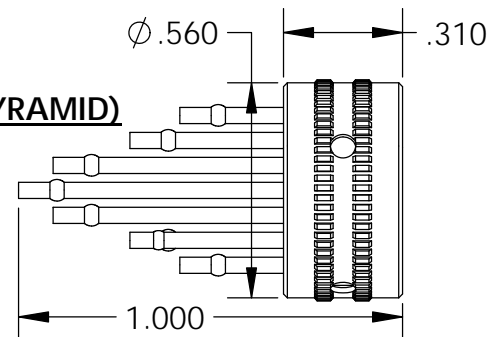
31M560 (.031)



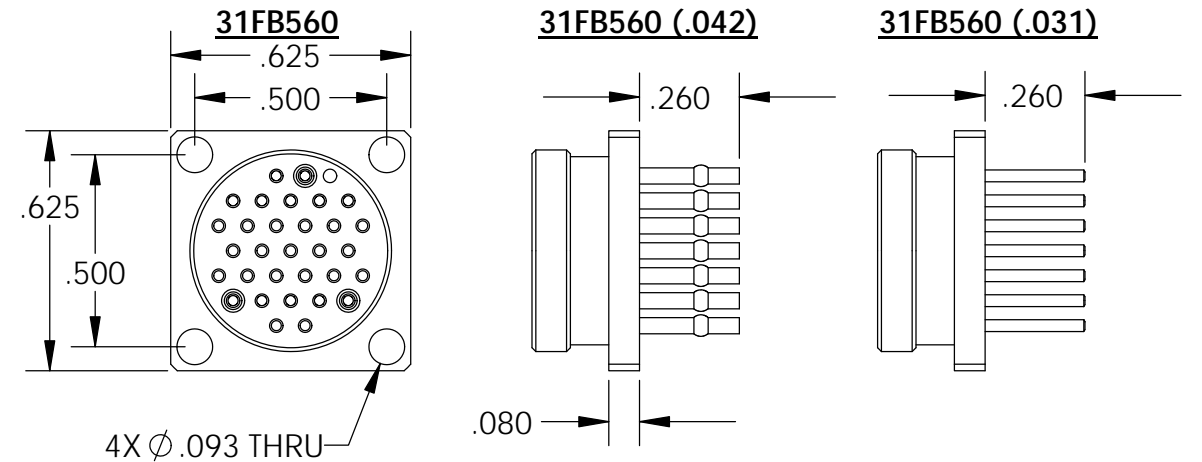
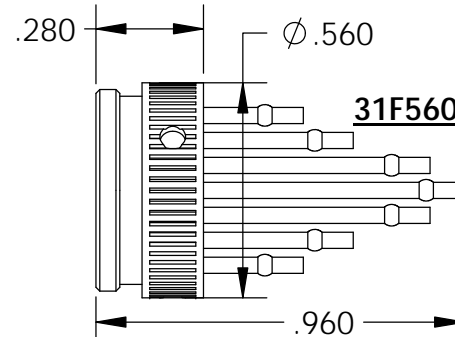
31F560 (.031)



31M560 (.042 PYRAMID)



31F560 (.042 PYRAMID)



UNLESS OTHERWISE SPECIFIED: DIMENSIONS ARE IN INCHES TOLERANCES: TWO PLACE DECIMAL ± .015 THREE PLACE DECIMAL ± .005 SHEETMETAL PARTS ± .010	DRAWN	DATE	NAME	Scanivalve Corp. LIBERTY LAKE, WA
	CHECKED	2-29-12	BCB	
	ENGINEER	2-29-12	AE	
VALUED CUSTOMER:				TITLE:
CUSTOMER APPROVAL:				31 PORT CONN., .042 & .031 (31M560/31F560)
DATE:			SIZE	DWG. NO.
			B	81286-1
DO NOT SCALE DRAWING			CAD: SOLIDWORKS 2010	SCALE: 2:1
			ERO#:	SHEET 1 OF 1