
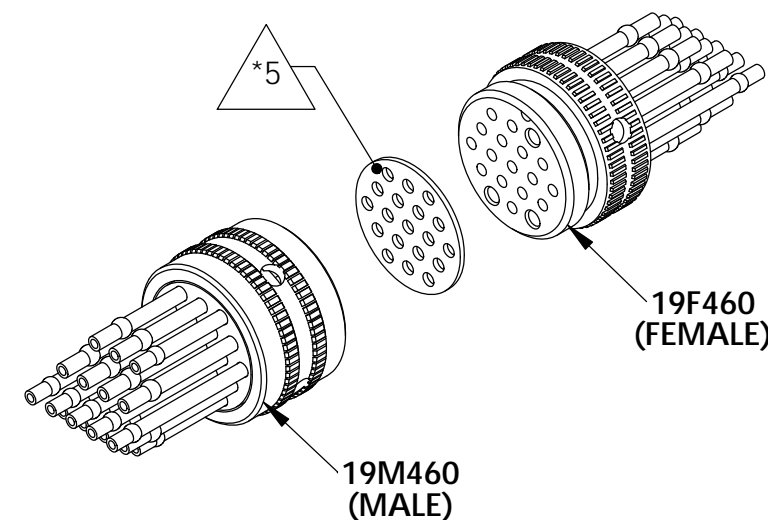
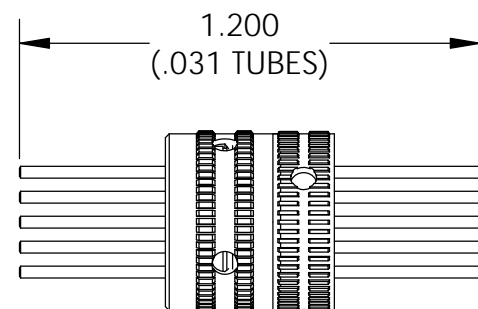
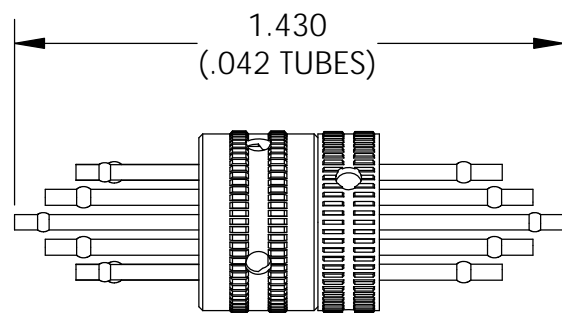


**NOTES:**

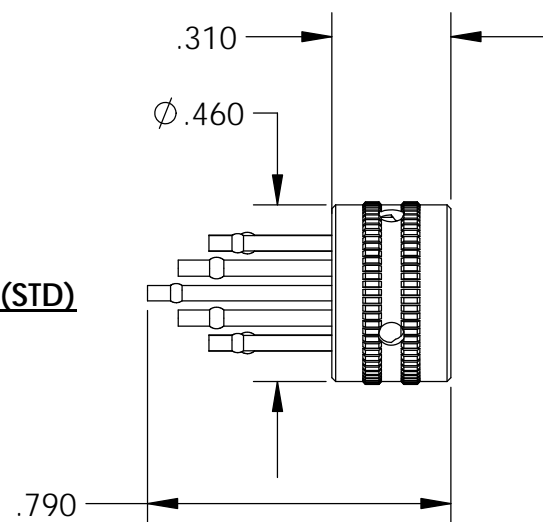
1. MAX PRESSURE: 100PSI
2. DIMENSIONS: INCHES
3. REFER TO PRODUCTS:  
**19M460 (MALE)**  
 50050-1 (.042)(STD)  
 50050-3 (.031)  
**19F460 (FEMALE)**  
 50050-2 (.042)(STD)  
 50050-4 (.031)
4. WRENCH PART #50190-9
5.  GASKET MATERIAL:  
 50059-1 (NEOPRENE)  
 50059-2 (SILICONE)-STANDARD  
 50059-3 (SILICONE)-.035  
 \*SUPPLIED WITH MALE CONNECTOR

REVISIONS			
REV	DESCRIPTION	DATE	APPROVED
-	PRODUCTION RELEASE	5-21-14	BCB

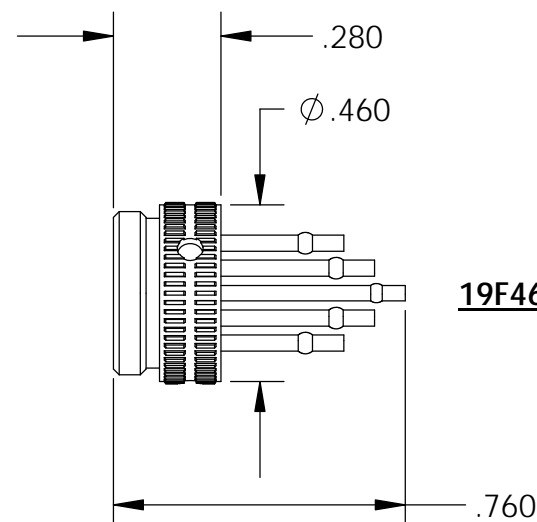


**-1 19 PORT CONNECTOR (19M460 / 19F460), .042 & .031 TUBE**

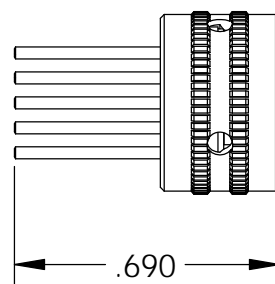
**19M460 (.042)(STD)**



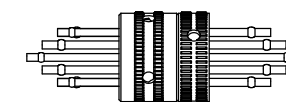
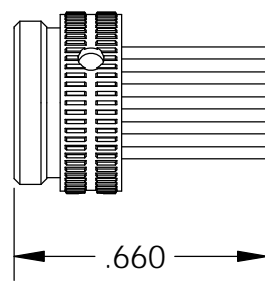
**19F460 (.042)(STD)**




**19M460 (.031)**



**19F460 (.031)**



**ACTUAL SIZE  
(SCALE 1:1)**

UNLESS OTHERWISE SPECIFIED: DIMENSIONS ARE IN INCHES TOLERANCES: TWO PLACE DECIMAL ± .015 THREE PLACE DECIMAL ± .005		DRAWN	5-21-14	SH	 LIBERTY LAKE, WA TITLE: 19 PORT CONN., .042 & .031 (19M460/19F460)
SHEETMETAL PARTS ± .010 BEND RADIUS .06 MAX ANGULARITY ±1.5°		CHECKED	5-21-14	BCB	
MATERIAL		ENGINEER	5-19-14	BCB	
FINISH		MODEL REV: -			SIZE
TOOLBOX		DO NOT SCALE DRAWING			B
CAD: SOLIDWORKS 2014		SCALE: N/A			DWG. NO.
ERO#:		SHEET 1 OF 1			81340
					REV
					-