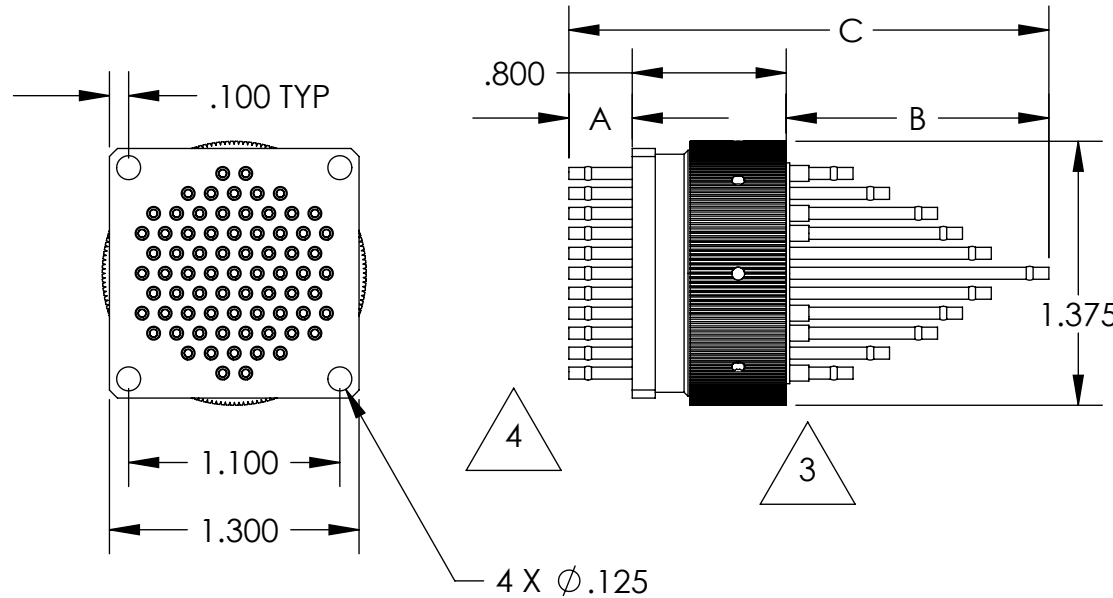


NOTES:

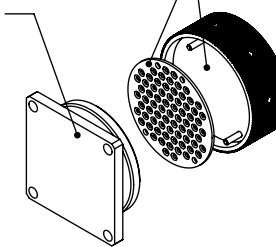
1. REF: ZOC33 CONNECTOR: 6565-x (FEMALE) & 6570-X (MALE)
2. REF: 73ZOC CONNECTOR: 6560-X (FEMALE) & 6550-X (MALE)
3. .031 LENGTH TUBES ON MALE CONNECTOR ARE NOT STAGGERED.
4. ZOC33 FEMALE HAS .063 TUBES FOR CAL, REF, CTLs.

REVISIONS			
REV.	DESCRIPTION	DATE	APPROVED
A	UPDATE DIMENSION	1-23-14	
B	ADDED BLANK OFF INFO	8-29-14	



BLANKING CAP FOR
ZOC33M & 73ZOCM
6561-9

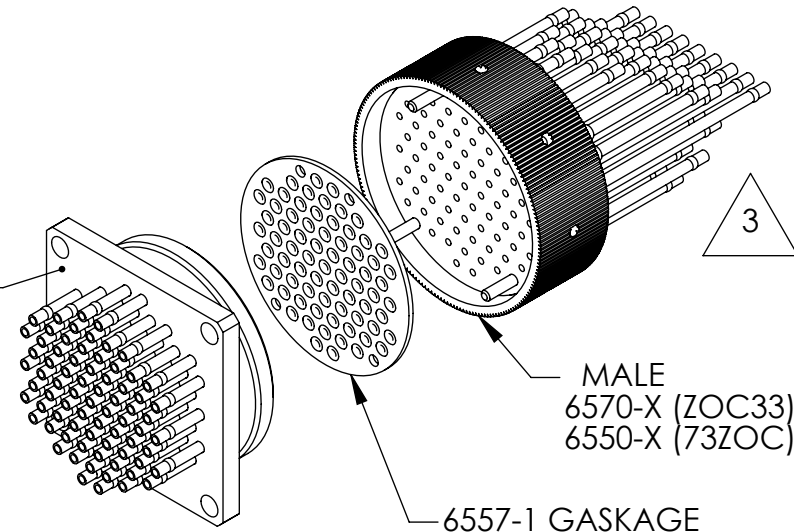
BLANKING CAP FOR
ZOC33F & 73ZOCF
6570-4



	A'	B'	C'
ZOC33 (.031)	0.310	0.300	1.400
ZOC33 (.042)	0.360	1.050	2.200
ZOC33 (.063)	0.330	1.380	2.500
73ZOC (.031)	0.260	0.300	1.350
73ZOC (.042)	0.230	1.050	2.070
73ZOC (.063)	0.330	1.380	2.500

FEMALE
6565-X (ZOC33)
6560-X (73ZOC)

MALE
6570-X (ZOC33)
6550-X (73ZOC)



ZOC33 & 73ZOC CONNECTORS

DIMENSIONS ARE IN INCHES TOLERANCES: TWO PLACE DECIMAL ± .015 THREE PLACE DECIMAL ± .005		NAME	DATE	Scanivalve Corp. LIBERTY LAKE, WA
SHEETMETAL PARTS ± .010 UNLESS OTHERWISE NOTED		BCB	8/29/2014	
MATERIAL		CHECKED	BCB	ZOC33 & 73ZOC CONNECTORS
FINISH		ENG APPR.		
DO NOT SCALE DRAWING		MFG APPR.		
		Q.A.		
		COMMENTS:		SIZE A DWG. NO. 81008-1 REV. B
		SCALE:	ERO#:	SHEET 1 OF 1