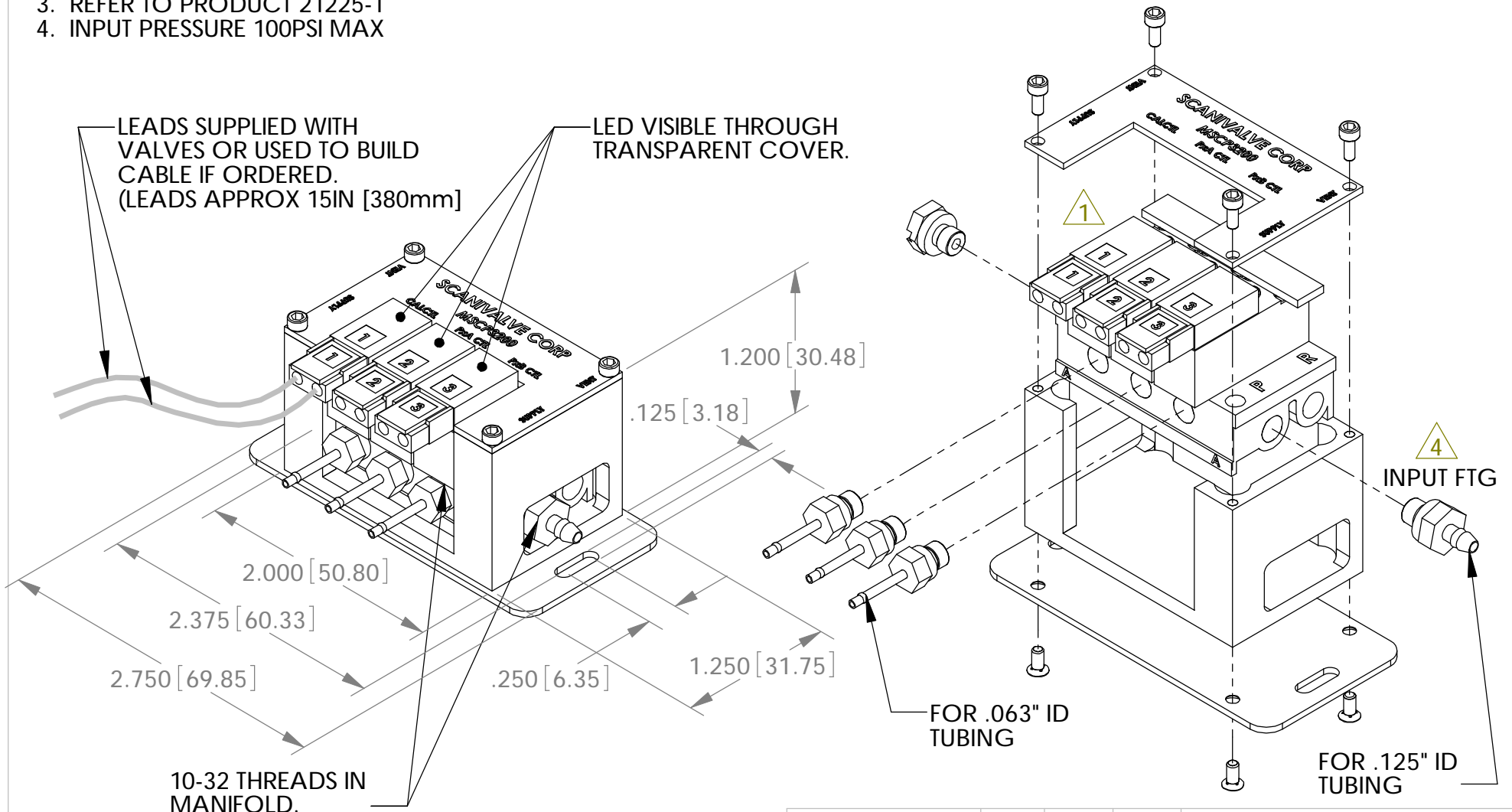


**NOTES:**

1. SOLENOID VALVES REQUIRE 24Vdc (12 & 5Vdc OPTIONAL).  
(.8W PER VALVE AT RATED VOLTAGE)
2. DIMENSIONS IN INCHES [MM]
3. REFER TO PRODUCT 21225-1
4. INPUT PRESSURE 100PSI MAX

REVISIONS		DATE	APPROVED
REV.	DESCRIPTION		
C	FTG TUBE SIZE UPDATE	BB 2-10	



**-1 MSCP3200  
(MINIATURE SOLENOID CONTROL PACK)**

DIMENSIONS ARE IN INCHES		NAME	DATE
TOLERANCES:		DRAWN	BCB
FRACTIONAL ±		CHECKED	BCB
ANGULAR: MACH ± .1 BEND ±		ENG APPR.	AP
TWO PLACE DECIMAL ± .015		MFG APPR.	JC
THREE PLACE DECIMAL ± .005		Q.A.	
MATERIAL	COMMENTS:		
FINISH			
DO NOT SCALE DRAWING			

**Scanivalve Corp.**

**MSCP3200  
(MINI SOL-CTL PACK)**

SIZE	DWG. NO.	REV.
A	80978-1	C
SCALE:1:1	WEIGHT:	SHEET 1 OF 1